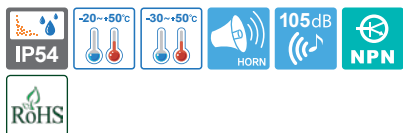


S125D series



Various built-in sound tones of Warning sounds, Alarms and Melodies



S125DLR



S125DL/ S125DS



S125D

Signal/ Warning Light and Electric Horn Combinations

Common Specifications(S125DLR/ S125DL/ S125DS/ S125D)

- Ø125mm signal/ warning light and electric horn combinations provides both audible and visual signaling capability in one unit
- Can select the proper signaling from a variety of light source and sound tone
- Materials : Lens-AS, Housing-ABS, Reflector-Heat resistant ABS
- Protection rating : IP54
- Compliant with RoHS directive (S125DLR/ S125DL)

S125DLR LED Revolving Light & Electric Horn

- Revolving speed : 120-140RPM
- Ambient operating temperature : -20°C to +50°C

Model number	Voltage	Current	Sound Pattern and Volume	Certificates	Weight	Color
S125DLR	DC12V	0.483A	<ul style="list-style-type: none"> • WS-5 Warning sounds : 105dB • WM-5 Melodies : 105dB • WA-5 Alarms : 103dB • WV-5 Customizable sounds : 95dB 	-	0.92kg	<ul style="list-style-type: none"> • R-Red • A-Amber • G-Green • B-Blue
	DC24V	0.327A			0.92kg	
	AC110V	0.120A			1.29kg	
	AC220V	0.060A			1.29kg	

S125DL LED Steady/Flashing Light & Electric Horn

- Flashing rate : 60-80 flashes/min (Built-in switch for selection between steady and flashing mode)
- Ambient operating temperature : -30°C to +50°C
- Certificates : CE Compliant

Model number	Voltage	Current	Sound Pattern and Volume	Certificates	Weight	Color
S125DL	DC12V	0.517A	<ul style="list-style-type: none"> • WS-5 Warning sounds : 105dB • WM-5 Melodies : 105dB • WA-5 Alarms : 103dB • WV-5 Customizable sounds : 95dB 	CE	0.76kg	<ul style="list-style-type: none"> • R-Red • A-Amber • G-Green • B-Blue
	DC24V	0.435A			0.76kg	
	AC110V	0.123A		1.16kg		
	AC220V	0.062A		1.16kg		

S125DS Xenon Lamp Strobe Light & Electric Horn

- Flashing rate : 60-80 flashes/min
- Ambient operating temperature : -30°C to +50°C

Model number	Voltage	Current	Sound Pattern and Volume	Certificates	Weight	Bulb	Color
S125DS	DC12V	1.331A	<ul style="list-style-type: none"> • WS-5 Warning sounds : 105dB • WM-5 Melodies : 105dB • WA-5 Alarms : 103dB • WV-5 Customizable sounds : 95dB 	-	0.78kg	48	<ul style="list-style-type: none"> • R-Red • A-Amber • G-Green • B-Blue
	DC24V	0.899A			0.78kg		
	AC110V	0.231A			1.23kg		
	AC220V	0.155A			1.23kg		

S125D Bulb Revolving Light & Electric Horn

- Revolving speed : 120-140RPM
- Ambient operating temperature : -20°C to +50°C
- Certificates : CE Compliant

Model number	Voltage	Current	Bulb			Sound Pattern and Volume	Certificates	Weight	Color
			Spec	Standard	Parts no				
S125D	DC12V	1.266A	12V10W	T16x35 15S	9	<ul style="list-style-type: none"> • WS-5 Warning sounds : 105dB • WM-5 Melodies : 105dB • WA-5 Alarms : 103dB • WV-5 Customizable sounds : 95dB 	CE	1.00kg	<ul style="list-style-type: none"> • R-Red • A-Amber • G-Green • B-Blue
	DC24V	0.766A	24V10W	T16x35 15S	10			1.00kg	
	AC110V	0.187A	12V10W	T16x35 15S	9			1.41kg	
	AC220V	0.094A	12V10W	T16x35 15S	9			1.41kg	

* Please refer to Page22 for detailed specification of sound tones.



Warning/Signal/Stackable



Signal & Electric Horn/Speakers



Vessels and Heavy-Duty Equipment



Explosion Proof



Warning Light Bar



Aviation Obstruction Lights



Signal Tower Lights



USB/ETN Signal Tower Lights



Electric Horn/Speakers



Industrial LED Lights

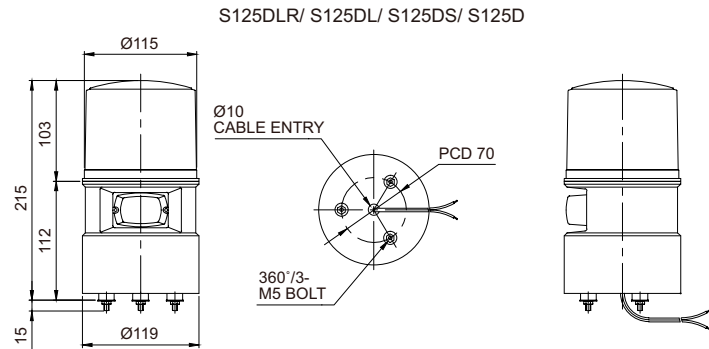
S125D series

Signal/ Warning Light and Electric Horn Combinations



Technical Diagram

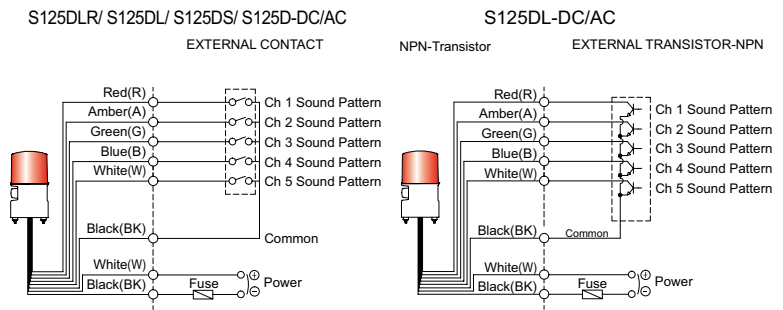
(Units : mm)



- S125D series comes with prerecorded sounds.
- For WV(5Customized Sounds)type, Input audio message needs to be provide by the customer prior to manufacturing.
- S125DL model wiring can be done with either external contact or external transistors.
- In case of wiring by using transistor, NPN transistor is needed and follow the wiring diagram on the right in order to wire properly.



Wiring Instructions



- External power line standard : UL1015 AWG18(0.75sq)×2C 400mm
- External signal line standard : UL1007 AWG22(0.03sq) 400mm
- DC type : Black output line is Negative(-)



Do not apply voltage to each signal line. It may cause damage to the product. By default the warning light is turned on when the power is supplied, the voice/ alarm output is powered on by a separate connection. Please wire properly.



S125D is applied to a large press machine control panel.



Ordering Specification

S125D	-	WA	-	220	-	R
[Model number]		[Sound selection]		[Voltage]		[Color]
<ul style="list-style-type: none"> • S125DLR • S125DL • S125DS • S125D 		<ul style="list-style-type: none"> • WS-Warning • WM-Melody • WA-Alarm • WV-Customizable sound 		<ul style="list-style-type: none"> • 12-DC12V • 24-DC24V • 110-AC110V • 220-AC220V 		<ul style="list-style-type: none"> • R-Red • A-Amber • G-Green • B-Blue