

S80 series

Ø80mm LED Steady/ Flashing Signal Lights



S80LK



S80LK LED Steady/ Flashing Signal Light

- Ø80mm LED steady/ flashing signal lights
- Circular mount bracket allows for convenient installation
- Buzzer not allowed
- Switch for selection between steady and flashing mode
- Flashing rate : 60-80 flashes/min
- Materials : Lens-AS, Housing-ABS, Reflector-Heat resistant ABS
- Ambient operating temperature : -30°C to +50°C
- Protection rating : IP44
- Compliant with RoHS directive



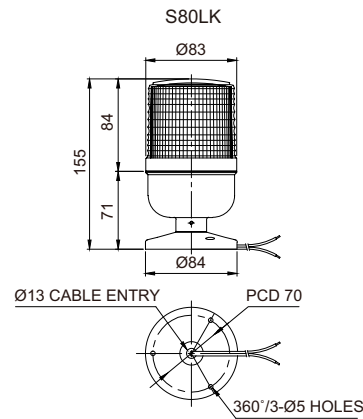
Specifications

Model number	Voltage	Current	Certificates	Weight	Color
S80LK	DC12V	0.123A	-	0.20kg	<ul style="list-style-type: none"> ● R-Red ● A-Amber ● G-Green ● B-Blue
	DC24V	0.094A		0.20kg	
	AC110V	0.035A		0.37kg	
	AC220V	0.017A		0.37kg	



Technical Diagram

(Units : mm)



Wiring Instructions

- External power line standard : UL1015 AWG18(0.75sq)×2C 400mm
- Product can be wired regardless of polarity



Customization

• Pole mount type

Standard	QZ18	SZ18	SL18	QLA18
Steel	PC	Al	Al	PC



※ Please refer to page32-37 for detailed dimension of mount bracket



Ordering Specification

S80LK	-	24	-	R
[Model number]		[Voltage]		[Color]
• S80LK		<ul style="list-style-type: none"> • 12-DC12V • 24-DC24V • 110-AC110V • 220-AC220V 		<ul style="list-style-type: none"> ● R-Red ● A-Amber ● G-Green ● B-Blue

