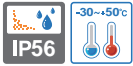


SAOL1

Low Intensity LED Aviation Obstruction Light



Applied on tall structures for collision avoidance measures and airport runway safety



Obtained Certification from the International Civil Aviation Organization



SAOL1



Common Specifications(SAOL1/ SAOL2/ SAOL3/ SAOL4)

- LED light bulbs with increased lifetime decreases the replacement cost of the light source (LED lasts 25 times longer than a standard lamp bulb)
- For SAOL2 and SAOL3 type, can select between direct mount and pole mount type to fit your application needs
- Excellent durability from a selection of a polycarbonate or an aluminum housing structure
- Terminals located inside the housing for wiring (SAOL2/ SAOL3/ SAOL4)
- Built-in SUN switch available upon request which activates a system that automatically operates the product when darkness is detected



SAOL1 Low Intensity LED Aviation Obstruction Light

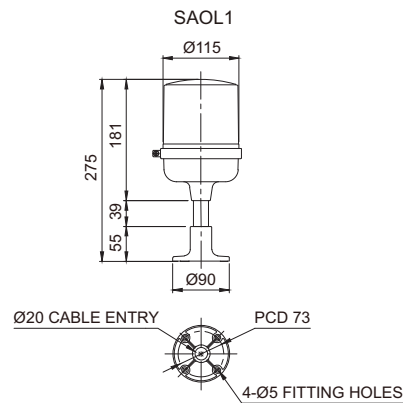
- Low intensity A type aviation obstruction lights are installed onto fixed objects that are less than 150m from the land or water surface

ICAO standard	Low intensity A type		
Light source	High intensity light emitting diodes(LED)		
Light color	Red		
Light function	Steady		
Rated voltage	DC12V, DC24V, AC110V, AC220V		
Power consumption	20W		
Standard housing color	Black	Cable entry	Ø20
Materials	Lens-PC, Housing-PC, Lens ring- STS316L, Pole-AI, Bracket-AI		
Protection rating	IP56	Ambient operating temperature	-30°C to +50°C
Certificate	ICAO compliant	Luminous intensity	17cd ±25%



Technical Diagram

(Units : mm)



Ordering Specification

SAOL1 [Model number]	-	24 [Voltage]	-	R [Color]
• SAOL1		• 12-DC12V • 24-DC24V • 110-AC110V • 220-AC220V		• R-Red



Warning/Signal/Stackable



Signal & Electric Horn/Speakers



Vessels and Heavy-Duty Equipment



Explosion Proof



Warning Light Bar



Aviation Obstruction Lights



Signal Tower Lights



USB/ETN Signal Tower Lights



Electric Horn/Speakers



Industrial LED Lights