

# SESA series



**Explosion proof warning light and electric horn combinations with sound output of Max 118dB**



**SESALR**



**SESAL**



**SESAS**

## Explosion Proof Warning/ Signal Light and Max 118dB Electric Horn Combinations



### Common Specifications(SESALR/ SESAL/ SESAS/ SESA)

- Large explosion proof warning light and electric horn combinations
- A variety of light sources and sound selections to fit your sophisticated application needs
- Aluminum housing provides excellent durability
- Fully enclosed structure with protection rating of IP66
- Integrated housing and terminal box model
- Sound volume : Max 118dB at 1m(Volume adjustable)
- Standard housing color : MUNSSELL No. 7.5BG 7/2
- Cable entry : 1/2" NPT
- Materials : Lens-Tempered glass, Filter-PC, Housing-AI, Protection cage-SUS316L, Reflector for LED type-PC/Reflector for bulb type-Heat resistant ABS
- Certificates : IECEx, ATEX, NEPSI, KIMM, KOSHA, ABS, CCS, KR, CCC(F)
- Protection rating :
  - IECEX - Ex d IIC T6 Gb, IP66
  - ATEX -  $\text{Ex d IIC T6, IP66}$
  - NEPSI, KIMM, KOSHA - Ex d IIC T6, IP66
- Ambient operating temperature :  $-40^{\circ}\text{C} \leq T_{\text{amb}} \leq +60^{\circ}\text{C}$



### SESALR LED Revolving Warning Light and Electric Horn Combination

- Excellent omni-directional visibility with LED light collecting system and special multifaceted reflector
- Revolving speed : 120-140RPM

Model number	Voltage	Current	Sound pattern and volume	Certificates	Weight	Color
SESALR	DC12V	2.633A	<ul style="list-style-type: none"> <li>• WS-5 Warning sounds : 118dB</li> <li>• WP-5 Special warning sounds : 118dB</li> <li>• WM-5 Melodies : 118dB</li> <li>• WA-5 Alarms : 115dB</li> <li>• WV-5 Customizable voices : 113dB</li> </ul>		8.31kg	<ul style="list-style-type: none"> <li>• R-Red</li> <li>• A-Amber</li> <li>• G-Green</li> <li>• B-Blue</li> </ul>
	DC24V	1.288A			8.31kg	
	AC110V	0.308A			7.92kg	
	AC220V	0.154A			7.92kg	



### SESAL LED Steady/Flashing Signal Light and Electric Horn Combination

- Long product lifetime with the application of a high intensity LED light source
- Suitable for locations where bulb replacement is inconvenient
- Built in switch for steady/flashing selection
- Flashing rate : 60-80 flashes/min

Model number	Voltage	Current	Sound pattern and volume	Certificates	Weight	Color
SESAL	DC12V	2.511A	<ul style="list-style-type: none"> <li>• WS-5 Warning sounds : 118dB</li> <li>• WP-5 Special warning sounds : 118dB</li> <li>• WM-5 Melodies : 118dB</li> <li>• WA-5 Alarms : 115dB</li> <li>• WV-5 Customizable voices : 113dB</li> </ul>		8.42kg	<ul style="list-style-type: none"> <li>• R-Red</li> <li>• A-Amber</li> <li>• G-Green</li> <li>• B-Blue</li> </ul>
	DC24V	1.222A			8.42kg	
	AC110V	0.286A			9.02kg	
	AC220V	0.143A			9.02kg	



### SESAS Xenon Lamp Strobe Signal Light and Electric Horn Combination

- Lamp connector fastening structure allows for convenient lamp replacement
- High efficiency strobe light offers excellent visibility for long distances
- Flashing rate : 60-80 flashes/min

Model number	Voltage	Current	Bulb			Sound pattern and volume	Certificates	Weight	Color
			Spec	Standard	Parts no				
SESAS	DC12V	2.933A	200V -550V	EUB0641 -1A(G) U Type	48	<ul style="list-style-type: none"> <li>• WS-5 Warning sounds : 118dB</li> <li>• WP-5 Special warning sounds : 118dB</li> <li>• WM-5 Melodies : 118dB</li> <li>• WA-5 Alarms : 115dB</li> <li>• WV-5 Customizable voices : 113dB</li> </ul>		8.45kg	<ul style="list-style-type: none"> <li>• R-Red</li> <li>• A-Amber</li> <li>• G-Green</li> <li>• B-Blue</li> </ul>
	DC24V	1.411A						8.45kg	
	AC110V	0.360A						8.86kg	
	AC220V	0.220A						8.86kg	

# SESA series

## Explosion Proof Warning/ Signal Light and Max 118dB Electric Horn Combinations



SESA

### SESA Bulb Revolving Warning Light and Electric Horn Combinations

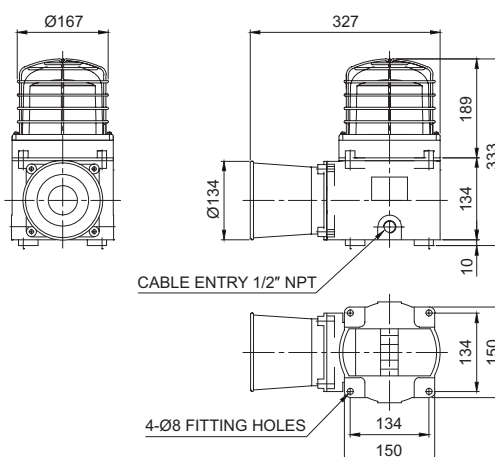
- Excellent diffusion effect with special multifaceted reflector
- Revolving speed : 120-140RPM

Model number	Voltage	Current	Bulb			Sound pattern and volume	Certificates	Weight	Color
			Spec	Standard	Parts no				
SESA	DC12V	3.755A	12V15W	G23 15S	17	<ul style="list-style-type: none"> <li>• WS-5 Warning sounds :118dB</li> <li>• WP</li> <li>• -5 Special warning sounds :118dB</li> <li>• WM-5 Melodies : 118dB</li> <li>• WA-5 Alarms : 115dB</li> <li>• WV</li> <li>• -5 Customizable voices : 113dB</li> </ul>		8.57kg	<ul style="list-style-type: none"> <li>• R-Red</li> <li>• A-Amber</li> <li>• G-Green</li> <li>• B-Blue</li> </ul>
	DC24V	1.788A	24V15W	G23 15S	18				
	AC110V	0.422A	12V15W	G23 15S	17				
	AC220V	0.211A	12V15W	G23 15S	17				

### Technical Diagram

(Units : mm)

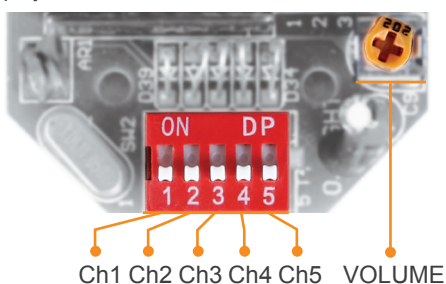
SESALR/ SESAL/ SESAS/ SESA



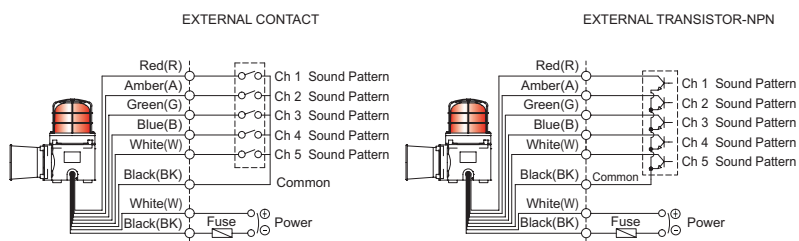
### Sound Selection Instructions and Wiring

- Standard type : Select sound using the switch inside of the unit. When you turn on the dip switch for each channel, designated sound is played.

- Customization : External contact(LC) Customization of signal line threading can be choice between external contact and transistor which can be fit for control unit.



SESA SERIES-DC/AC



### Customization

- Built-in explosion proof cable gland type
- 2 way cable entries
- Customized cable entry (3/4" NPT, M20×1.5, M25×1.5) available
- ATEX compliant products
- IECEx compliant products

### Ordering Specification

<b>SESAS</b>	-	<b>WS</b>	-	<b>220</b>	-	<b>R</b>
[Model number]		[Sound]		[Voltage]		[Color]
<ul style="list-style-type: none"> <li>• SESALR</li> <li>• SESAL</li> <li>• SESAS</li> <li>• SESA</li> </ul>		<ul style="list-style-type: none"> <li>• WS-Warning sounds</li> <li>• WP-Special warning sounds</li> <li>• WM-Melodies</li> <li>• WA-Alarms</li> <li>• WV-Customizable sounds</li> </ul>		<ul style="list-style-type: none"> <li>• 12-DC12V</li> <li>• 24-DC24V</li> <li>• 110-AC110V</li> <li>• 220-AC220V</li> </ul>		<ul style="list-style-type: none"> <li>• R-Red</li> <li>• A-Amber</li> <li>• G-Green</li> <li>• B-Blue</li> </ul>