

SKTL series

Cubic LED Warning Lights for Vehicles



SKTL



SKTLB



Common Specifications(SKTL/ SKTLB)

- High brightness LED with special light filter structure provides clear signal light transmission even in outdoor environments with intense sunlight
- Excellent vibration and impact resistance with use of polycarbonate lens
- Lens with special coating material maintains transparency even when exposed to harsh environments where scratches, dust and direct sunlight is possible
- Water resistant, dustproof, and weather resistant structure provides excellent durability under harsh environments such as rainstorms, frost, and intense heat
- Different lights from side to side improve efficiency of emergency signal transmission effect (SKTLM/ SKTLBM)
- 4 strong magnets enable secure attachment to the desired place(SKTLM/ SKTLBM)
- Convenient emergency signal sound control with built-in ON/OFF switch(SKTLBM)
- Materials : Lens, Housing-PC
- Ambient operating temperature : -30°C to +50°C
- Protection rating : IP66



SKTL Cube-Shaped LED Warning Light, Direct Mount

- Flashing rate : 60-80 flashes/min

Model number	Voltage	Current	Certificates	Weight	Color
SKTL	DC12V	0.880A	-	0.35kg	<ul style="list-style-type: none"> ● R-Red ● A-Amber ● G-Green ● B-Blue ● W-White
	DC24V	0.385A		0.35kg	



SKTLB Cube-Shaped LED Warning Light with Built-in Siren Buzzer, Direct Mount

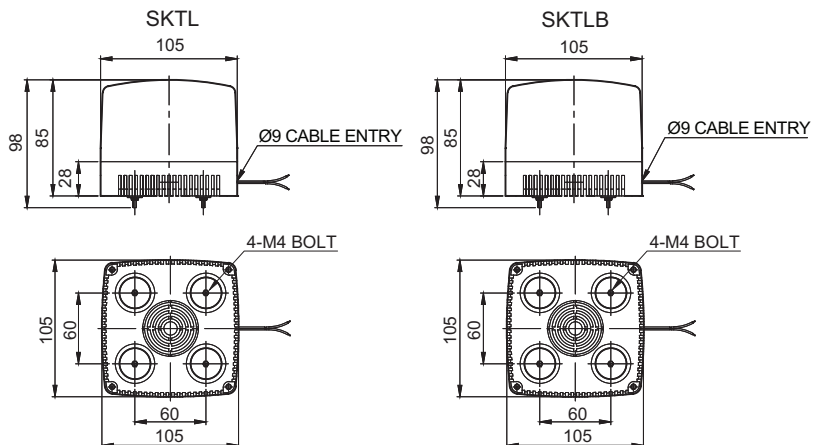
- Sound volume : Max 105dB at 1m

Model number	Voltage	Current	Certificates	Weight	Volume	Color
SKTLB	DC12V	1.125A	-	0.45kg	Max 105dB	<ul style="list-style-type: none"> ● R-Red ● A-Amber ● G-Green ● B-Blue ● W-White
	DC24V	0.560A		0.45kg		



Technical Diagram

(Units : mm)



Wiring Instructions

- SKTL-External power line standard : UL1015 AWG18(0.75sq)×2C 400mm
- SKTLB-External power line standard : UL2464 AWG18(0.75sq)×2C 400mm



Ordering Specification

SKTL	-	24	-	R/B
[Model number]		[Voltage]		[Color]
<ul style="list-style-type: none"> • SKTL • SKTLB 		<ul style="list-style-type: none"> • 12-DC12V • 24-DC24V 		<ul style="list-style-type: none"> ● R-Red ● A-Amber ● G-Green ● B-Blue ● W-White

SKTL series

Cubic LED Warning Lights for Vehicles



SKTLM

Normal cigarette lighter plug



SKTLBM

Operation controlled by ON/OFF switch attached to the cigarette plug



The special rubber magnet adheres securely to the vehicle without damaging the surface of the vehicle!

SKTLM Cube-Shaped LED Warning Light for Vehicles with Magnet

- Flashing rate : 60-80 flashes/min
- 4 strong magnets enable secure attachment to curved vehicle surfaces

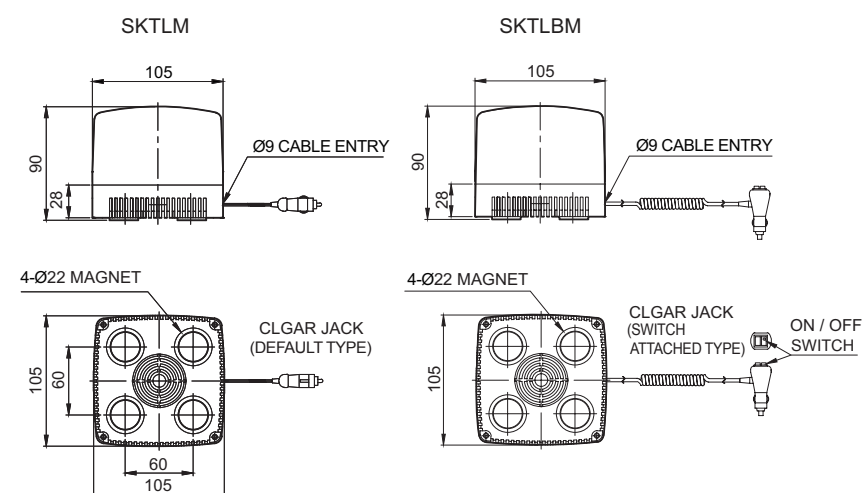
Model number	Voltage	Current	Certificates	Weight	Color
SKTLM	DC12V	0.235A	-	0.45kg	●●R/B-Red/Blue
	DC24V	0.115A		0.45kg	

SKTLBM Cube-Shaped LED Warning Light with Built-in Siren Buzzer with magnet, Direct Mount

- Sound volume : Max 105dB at 1m
- Easy control of warning sound with built-in ON/OFF switch

Model number	Voltage	Current	Certificates	Weight	Volume	Color
SKTLBM	DC12V	0.480A	-	0.55kg	Max 105dB	●●R/B-Red/Blue
	DC24V	0.290A		0.55kg		

Technical Diagram (Units : mm)



Wiring Instructions

- Cigarette lighter plug, IEC42(0.75sq)×2P 2,000mm

Customization

- Additional color combinations available upon customer's request

Ordering Specification

SKTLM	-	24	-	R/B
[Model number]		[Voltage]		[Color]
• SKTLM • SKTLBM		• 12-DC12V • 24-DC24V		●● R/B-Red/Blue

