

SPK

Panel Mounted Speaker



SPK

SPK Max 85dB, Panel Mounted Speaker

- Panel mounted speaker that plays 8 clear and periodic sound tones
- General compatibility by adopting general equipment (62×62mm) mount holes
- Allowing volume control without dismantling the device
- Various sound patterns such as warning sound, melodies, and alarms can be chosen depending on the message use case
- Wiring terminal on the back side of the product
- Materials : ABS
- Sound volume : Max 85dB at 1m
- Ambient operating temperature : -25°C to +50°C
- Protection rating : IP23
- Certificates : CE Compliant

Model number	Pre-recorded Sound			Voltage/ Current	Certificate	Weight	
	Sound Type	Ch	Sound Pattern				dB
SPK	WS- 5 Warnings	1	Fire.A-ANG	85dB	DC12V / 0.288A DC24V / 0.155A AC110V / 0.036A AC220V / 0.018A	CE DC24V only	DC-0.19kg AC-0.21kg
		2	Emergency WA-U(Yelp)	85dB			
		3	Ambulance PI-PO(Hi-low)	85dB			
		4	Machinery Fault	85dB			
		5	High Expansion	83dB			
	WM- 5 Melodies	1	Sweet Home	85dB			
		2	For Elise	85dB			
		3	Cuckoo's Waltz	85dB			
		4	Piano Sonata	85dB			
		5	Turkish March	85dB			
	WA- 5 Alarms	1	Beep Intermittent	83dB			
		2	Door Chime	83dB			
		3	Phone Ring	85dB			
		4	PI.PI.PI Short	85dB			
		5	Tripping Beat	85dB			

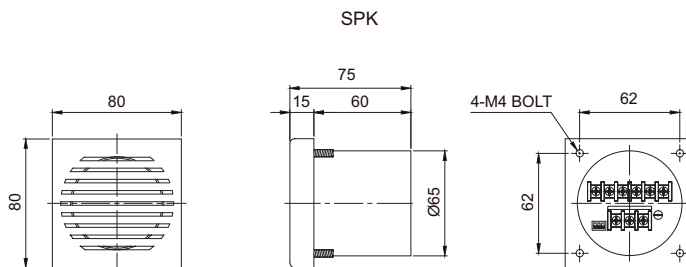


Terminal box for power and sound (back side)



Technical Diagram

(Units : mm)

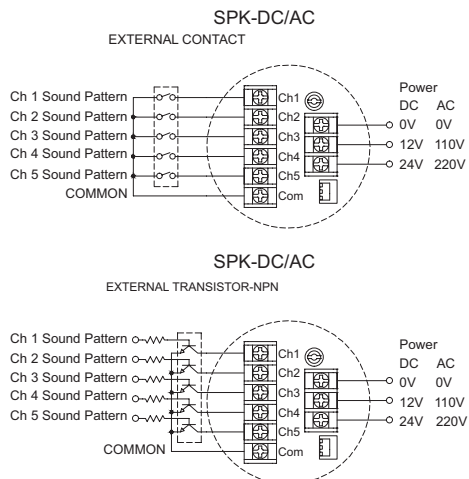


Ordering Specification

SPK	-	WM	-	220
[Model number]		[Sound]		[Voltage]
• SPK		• WS-Warning • WM-Melody • WA-Alarm		• 12-DC12V • 24-DC24V • 110-AC110V • 220-AC220V



Wiring Instructions



Warning/
Signal/
Stackable



Signal &
Electric Horn/
Speakers



Vessels and
Heavy-Duty
Equipment



Explosion
Proof



Warning
Light Bar



Aviation
Obstruction
Lights



Signal Tower
Lights



USB/ETN
Signal Tower
Lights



Electric Horn/
Speakers



Industrial
LED Lights