

# ESTHD50x



## Environmental Sensor, Temperature & Humidity Transmitter, Duct type



### Main features

- Duct mounting
- 0-10 V or 4-20 mA output
- 0 to 50°C temperature and 0 to 100% humidity measuring range
- Duct housing suitable to be used in HVAC ducting
- Simple installation
- Compact housing

### Applications

- Monitoring for HVAC process / air conditioning / environmental ventilation control
- Environmental monitoring for building / factory / clean room / lab

### Description

High-tech sensor components for long-term stability and with an exceptional accuracy. Compact duct housing, perfectly suitable to be used in HVAC ventilation ducting.



## References

### Product selection key



ESTHD50

Enter the code entering the corresponding option instead of

Code	Option	Description
ESTH	-	Model
D	-	Duct mounting
50	-	Temperature range
<input type="checkbox"/>	V	Output: 0...10 V
	A	Output: 4...20 mA

### Type selection

Mounting	Temperature range	Output	Power supply	Code
Duct	0°... +50°C	0...10 V	15...35 VDC and 19...29 VAC	<b>ESTHD50V</b>
Duct	0°... +50°C	4...20 mA	15...35 VDC and 19...29 VAC	<b>ESTHD50A</b>

## Features

### Power Supply

<b>Power supply</b>	15...35 VDC and 19...29 VAC	
<b>Current consumption</b>	DC	56 mA
	AC	150 mA

### Outputs

<b>2 x Output</b>	4...20 mA / 0...10 V
-------------------	----------------------

### Environmental

<b>Ambient temperature</b>	0°... +50°C (32°... +122°F)	Operating
	-25° ... +60°C (-13° ... +140°F)	Storage
<b>Degree of protection</b>	IP54 (Sensor: IP20)	
<b>Electrical protection</b>	Polarity protection, over voltage and short circuit	

## Measuring Values

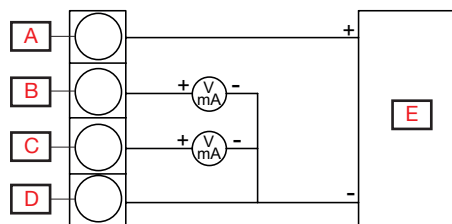
<b>Sensor type</b>	Capacitive humidity sensor & PT 1000 $\Omega$	
<b>Media measured</b>	Air	
<b>Measuring range</b>	Temperature (T)	0...50°C (32...122°F)
	Humidity (H)	0...100% RH
<b>Signal connection</b>	3-wire	
<b>Accuracy (@ +25°C)</b>	Temperature	$\pm 0.3^{\circ}\text{C} + 0.002^{\circ}\text{C} \times t \text{ actual}$
	Humidity	$\pm 3\% \text{ RH} (20\text{...}80\%)$
	Temperature influence	0.2% RH/°C
<b>Response times (t90) (@ +25°C)</b>	< 20 S	
<b>Load resistance</b>	Current output	< 200 $\Omega$
	Voltage output	> 10 K $\Omega$

## Mechanics/electronics

### Connection

Electrical connection	Screw terminal, Cable gland
-----------------------	-----------------------------

### Wiring

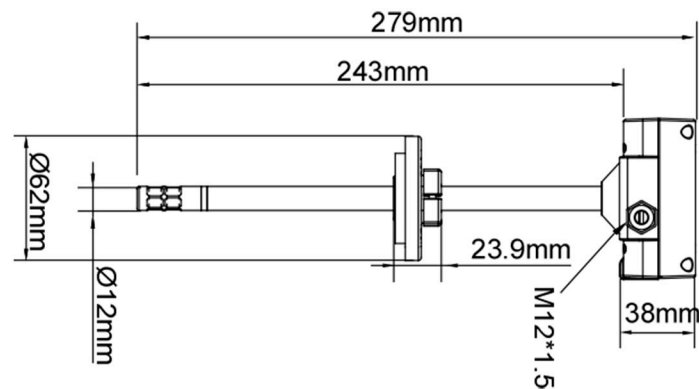


A	+V	D	GND
B	Humidity	E	15...35 VDC or 19...29 VAC
C	Temperature		

### Housing


Housing	PC fire-proof class (PC-110)
Installation	Duct mounting
Weight	157 g

### Dimensions





## Compatibility and conformity

 Approvals and markings

CE-marking	
------------	---



## Delivery contents and accessories

### ▶ Delivery contents

Environmental sensor: ESTHD50x



COPYRIGHT ©2016  
Content subject to change. Download the PDF: [www.productselection.net](http://www.productselection.net)