

Proximity Magnetic Sensors Cylindrical Housing FMP Series



- Cylindrical threaded plastic housing
- M12 diameter
- NO, NC, bistable or CO output functions
- Front side switching

Product Description

The sensors of the FMP series are housed in a plastic threaded housing. The different versions have NO (Normally Open), NC (Normally Closed), Bistable or CO (Change-over) output contacts. The versions can be mounted directly on

ferromagnetic supports as well; in this situation a reduction in the operating distance may occur due to a loss of magnetic field. The FMP is provided with two plastic nuts.

Ordering Key

FMP A 7 S1

Type _____
 Output function _____
 Reed contact type _____
 Special version _____

Type Selection

Housing diameter	Connection	Output function	Reference
M12	PVC cable L= 2m	NO	FMP A 7
M12	PVC cable L= 2m	NO	FMP A 9
M12	PVC cable L= 2m	NO	FMP A 9 S1
M12	PVC cable L= 2m	NC	FMP C 7
M12	PVC cable L= 2m	NC	FMP C 9
M12	PVC cable L= 2m	CO	FMP S 1
M12	PVC cable L= 2m	Bistable	FMP B 2

Diameters are specified in millimeters (mm)

Output Specifications

Output FMPA7, FMPA9, FMPA9S1 FMPC7, FMPC9 FMPS1 FMPB2	NO NC Change-over Bistable
Contact ratings Max Switching Voltage FMPB2 FMPA7, FMPC7 FMPA9, FMPA9S1, FMPC9 FMPS1 Max Switching Current FMPB2 FMPA7, FMPC7 FMPA9, FMPA9S1, FMPC9 FMPS1 Max Switching Power FMPB2 FMPA7, FMPC7 FMPA9, FMPA9S1, FMPC9 FMPS1	250 VAC 250 VAC 230 VAC 100 VAC 3 A 0.5 A 3 A 0.25 A 120 VA 10 VA 60 VA 5 VA

General Specifications

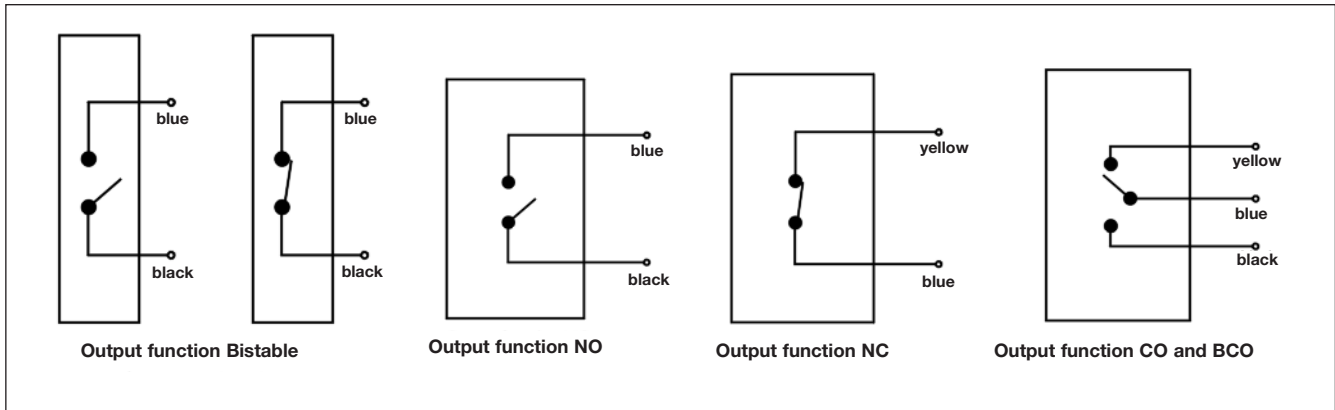
Operating distance FMP Series	See Operating Distance table
Suitable magnetic unit FMP Series	See Operating Distance table
Operating distance	8 ÷ 27 mm
Ambient temperature Operating	-25 to +75 °C
Environment Degree of protection	IP 67
Housing Diameter FMP Serie Material FMP Series	M12 x 1 mm Plastic
CE-marking	Yes

Operating Distance

Magnetic Units	CL20S1*
FMPA7	26
FMPA9	7
FMPA9S1	17
FMPC7	23
FMPC9	26
FMPS1	20

Distances are specified in millimeters (mm)
 xx/xx: operating distance (for all Output functions).
 *frontal operation.

Wiring Diagrams



Dimensions

