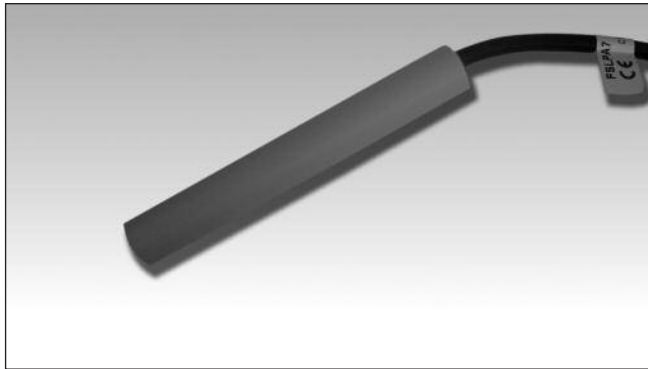


Proximity Magnetic Sensors Cylindrical Housing FSLP Series



- Cylindrical plastic housing
- Ø16 diameter
- NO and bistable output functions
- Mounting kit provided
- Front and side switching

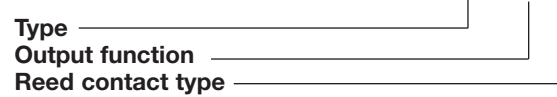
Product Description

The FSLP magnetic sensors are characterized by high sensibility switching contact, that allows good front and side switching distances. Every single sensor is provided with a mounting kit consisting of a guide, a

mobile support (that can move on the guide) and two grommets to fix the sensor to the mobile support. Plastic housing and NO (Normally Open) or Bistable output function complete their basic features.

Ordering Key

FSLP A 7



Type Selection

Housing diameter	Connection	Output function	Reference
Ø16	PVC cable	NO	FSLP A 7
Ø16	PVC cable	Bistable	FSLP B 2

Diameters are specified in millimeters (mm)

Output Specifications

Output FSLPA7 FSLPB2	NO Bistable
Contact ratings Max Switching Voltage FSLPA7 FSLPB2	100 VAC 250 VAC
Max Switching Current FSLPA7 FSLPB2	0.4 A 3 A
Max Switching Power FSLPA7 FSLPB2	10 VA 120 VA
Dielectric strength FSLPA7 FSLPB2	200 VDC 800 VDC
Insulation resistance between contacts FSLPA7	>10 ⁹ Ω
Operating poles FSLPA7 FSLPB2	N and S Contact closed by N and opened by S

General Specifications

Operating distance FSLP Series	See Operating Distance table
Suitable magnetic unit FSLP Series	See Operating Distance table
Ambient temperature Operating	-30 to +80 °C
Environment Degree of protection FSLP Series	IP 67
Housing Dimensions FSLP Series Material FSLP Series	Ø16 mm Plastic
Modular guide External dimensions	200 x 20 x 10 mm
CE-marking	Yes

Operating Distance

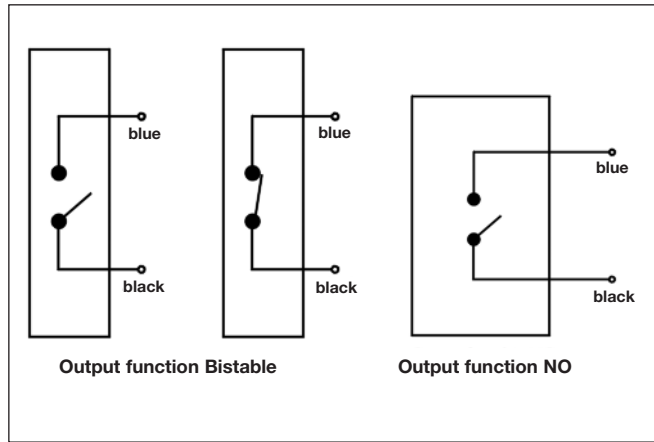
Switching type	Front	Side
FSLPA7	25	>15
FSLPB2	18	>10

Suitable magnetic unit : CL20S3

Distances are specified in millimeters (mm)

xx/xx: operating distance (for all Output functions).

Wiring Diagrams



Dimensions

