

# SBPCWSI1



## Carpark concentrator



### Benefits

- **Long Range wireless communication.** 250 m in typical conditions.
- **Wide range power supply.** It works with 6-36 VDC and 100-230 VAC.
- **Flexible installation.** It is suitable for wall or pole mounting.
- **IP66 rated housing.** For indoor and outdoor use.

### Description

The concentrator is part of the Carpark system, which contains other variants of sensors, controllers and displays.

The SBPCWSI1 is a compact Long Range wireless gateway designed to collect occupancy information from SBPWSI1 sensors.

The occupancy information is transmitted to the cloud in real-time by means of the wireless 4G/LTE cellular network or LAN connection and UWP3.0/SBP2CPY platform gathers data by means of the cloud.

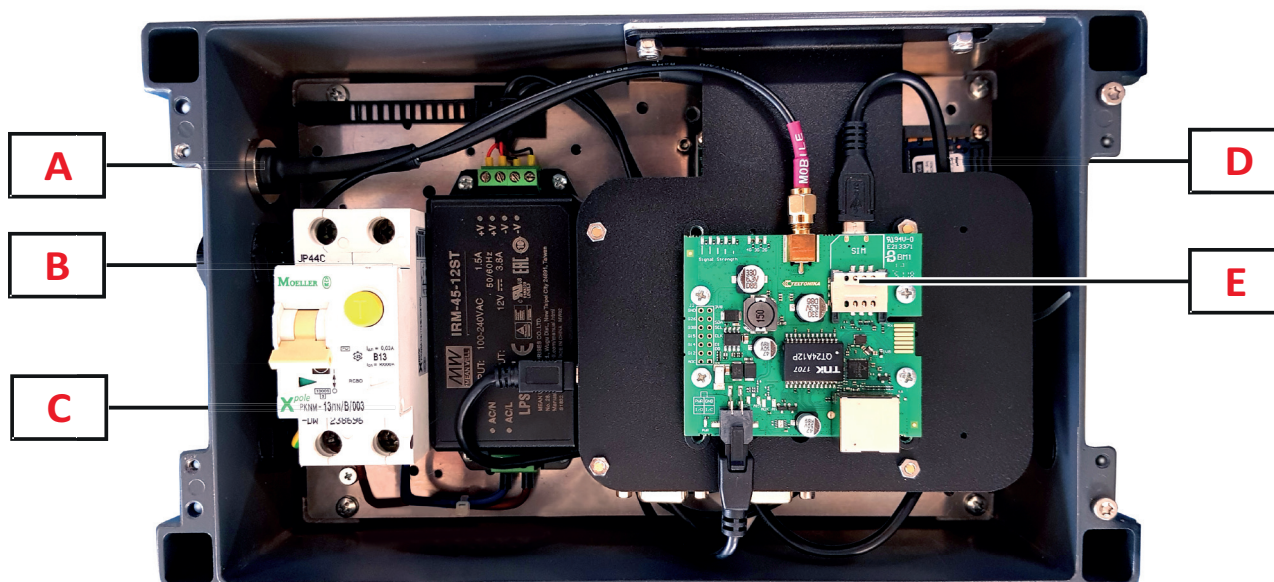
### Applications

Parking Guidance Systems

### Main functions

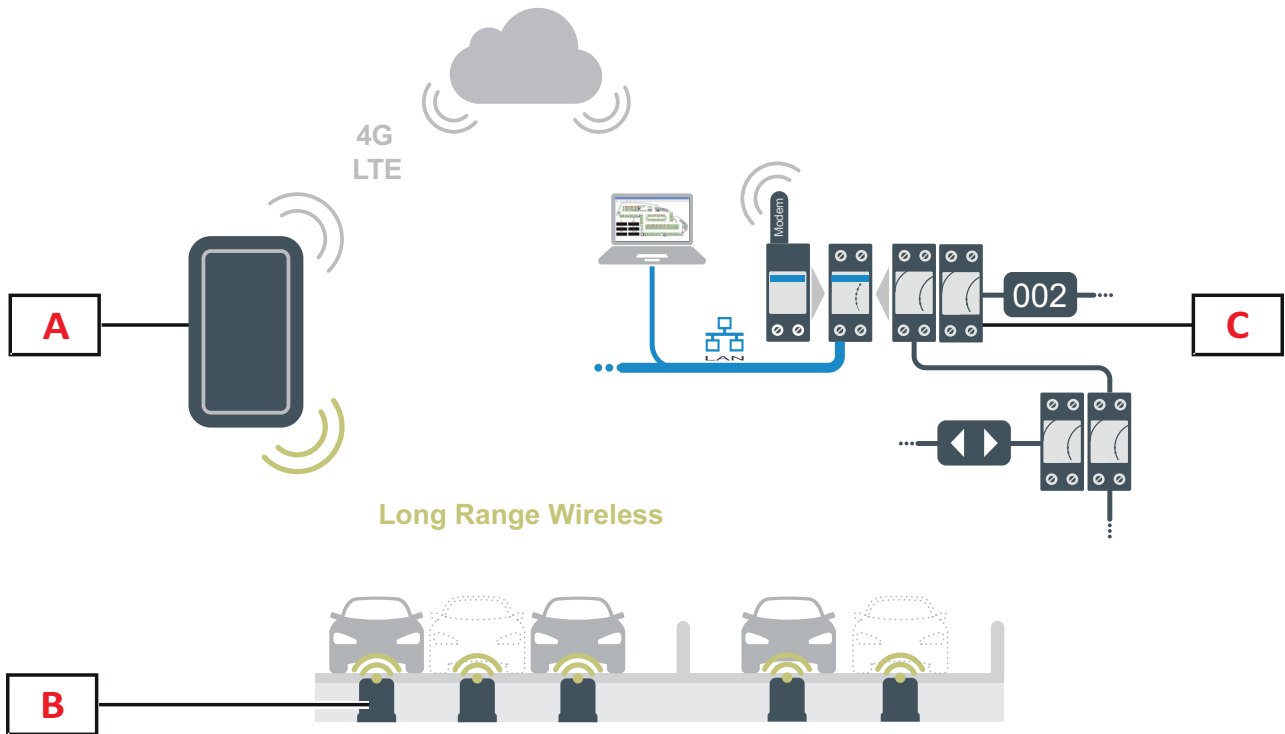
- Long Range wireless gateway for SBPWSI1 sensors.
- Collects occupancy information.

## Structure



Element	Component	Function
A	Connector	To connect the Long Range wireless antenna
B	Connector	To connect the 4G/LTE cellular antenna
C	Moeller JP44C	
D	Knockout openings	To connect power and Ethernet
E	4G/LTE router with SIM slot	To insert the SIM card

# Architecture

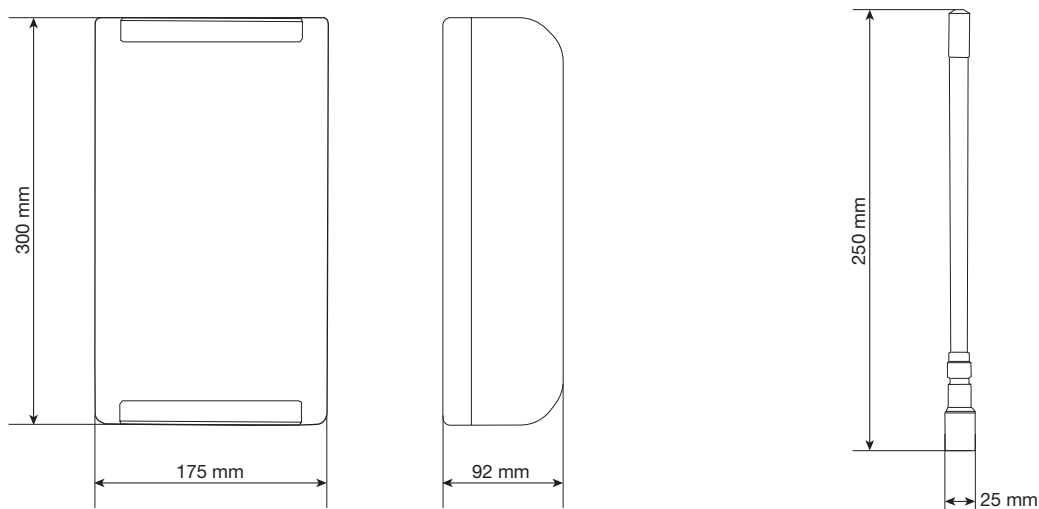


Element	Component	Function
A	SBPCWSI1 concentrator	Collects via Long Range wireless the bay status that is sent by each sensor in real-time.
B	SBPWSI1 sensor (Long Range wireless mode)	Detects changes to the earth's magnetic field caused by the presence of ferrous objects (cars).
C	UWP 3.0/SBP2CPY system	Receives via cloud the data collected by SBPCWSI1 gateways. The bay status is managed in the same way as all the other sensors (ultrasonic, IP camera).

## Features

### General

<b>Type</b>	Small cabinet
<b>Material</b>	Metallic, light grey
<b>Dimensions</b>	300 mm x 175 mm x 92 mm
<b>Antenna dimensions</b>	Ø 25 mm x 250 mm
<b>Weight</b>	5.0 Kg
<b>Protection degree</b>	IP66
<b>Number of managed sensor</b>	Depends on the environment conditions
<b>Network adapters</b>	Ethernet port 10/100/1000 Mbps



### Environmental

<b>Operating temperature</b>	-20 to 60°C (-4 to 140°F)
<b>Storage temperature</b>	-30 to 70°C (-22 to 158°F)
<b>Humidity (non-condensing)</b>	< 95%

### Compatibility and conformity

<b>Approvals</b>	<b>CE</b>
<b>Conformity</b>	Directive RED 2014/53/EU Low Voltage Directive 2014/35/EU Electromagnetic Compatibility Directive 2014/30/EU

## Power Supply

Power supply	SBPCWSI124	6-36 VDC
	SBPCWSI1230	100-230 VAC, 50-60Hz
Maximum rated operational power	60 W	

## Communication

### Long Range wireless

Protocol	Long Range wireless
Configuration parameters	By means of the Sensor Manager software
Frequency	ISM, 868 MHz (EU)
Transmission power	14 dBm
Maximum receiving sensitivity	-137 dBm
Encryption	Embedded end-to-end AES128
Communication distance	250 m Note: maximum distance depends on the environment conditions
Antenna	High-performance with N-female connector, cable length 0.5 m

### Network connectivity

Connection method	Network adapter
LAN connection	Ethernet port
4G/LTE cellular	Integrated 4G/LTE router <b>Important:</b> a Mini SIM (2FF) is required with at least 5GB/month data plan; M2M SIM type is not recommended.



## References

### Further reading

Information	Document	Where to find it
Installation manual	IM SBPCWSI124_SBPCWSI1230	<a href="http://www.productselection.net/MANUALS/UK/IM_SBPCWSI124_SBPCWSI1230.pdf">www.productselection.net/MANUALS/UK/IM_SBPCWSI124_SBPCWSI1230.pdf</a>
	IM SBPWSI1	<a href="http://www.productselection.net/MANUALS/UK/IM_SBPWSI1.pdf">www.productselection.net/MANUALS/UK/IM_SBPWSI1.pdf</a>
User manual	Sensor Manager software	<a href="http://www.productselection.net/MANUALS/UK/SPS_user_manual.pdf">www.productselection.net/MANUALS/UK/SPS_user_manual.pdf</a>

### Order code



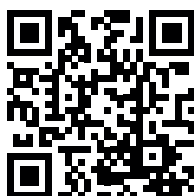
SBPCWSI1

Complete the code entering the corresponding option instead of

Code	Options	Description
SBP	-	Carpark
C	-	Concentrator
W	-	Wireless
SI	-	Sensor
1	-	Long Range wireless
<input type="checkbox"/>	24	6-36 VDC power supply
	230	100-230 VAC power supply

### CARLO GAVAZZI compatible components

Purpose	Component name/code key	Notes
Wireless sensor	SBPWSI1	
Controller	UWP30RSEXXX	
Carpark server	SBP2CPY24	



COPYRIGHT ©2019  
Content subject to change. Download the PDF: [www.productselection.net](http://www.productselection.net)