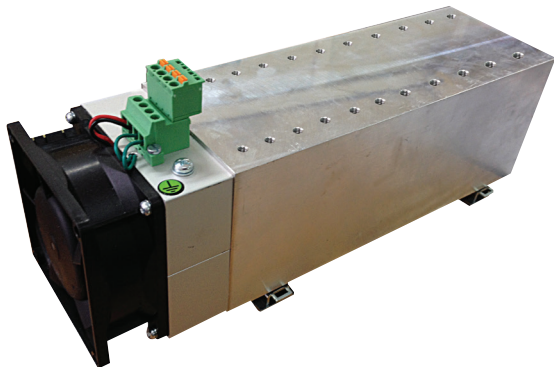


RHS28011F80-24P



Accessories: Heatsinks



Main features

- 0.12°C/W thermal resistance
- Suitable for mounting of 11x 1-phase SSRs
- DIN rail mounting
- Dimensions W x H x D: 280 x 87 x 122 mm
- Integrated overtemperature protection
- RoHS compliant

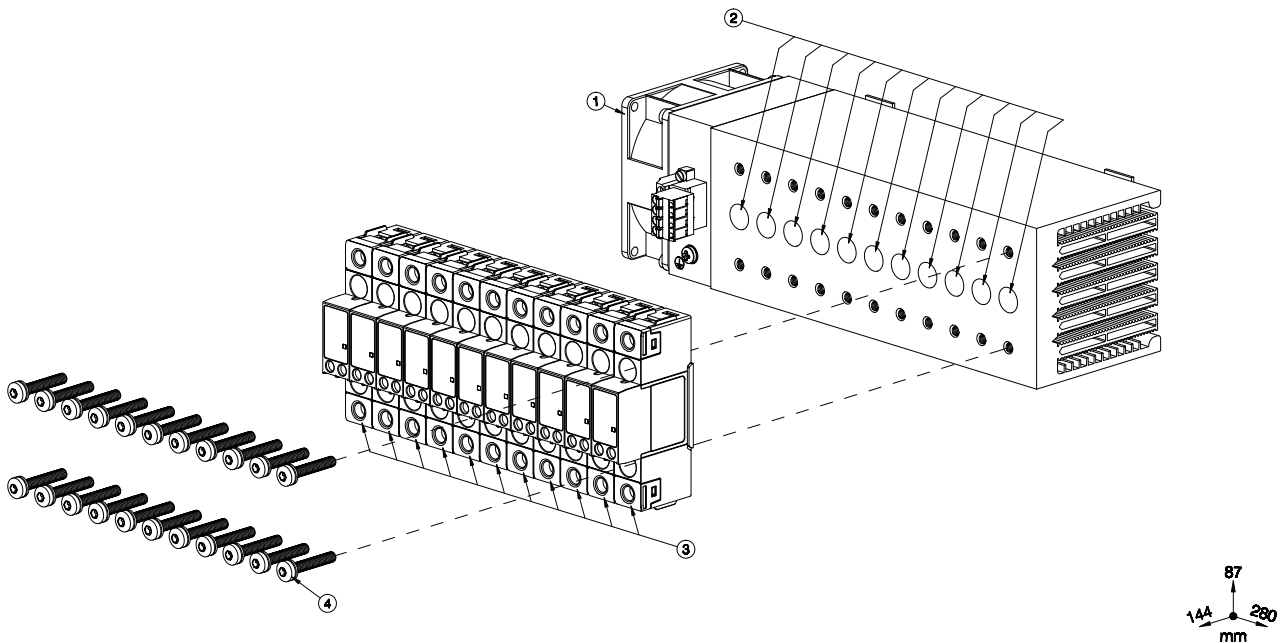
Description

Heatsink assembly, including fan and overtemperature protection, suitable for mounting a maximum of 11x 1-phase solid state relays (SSRs).

Suffix H44 added to SSR part no. refers to factory mounted heatsink. Conditions apply. Please ask your sales representative for further details.

Structure

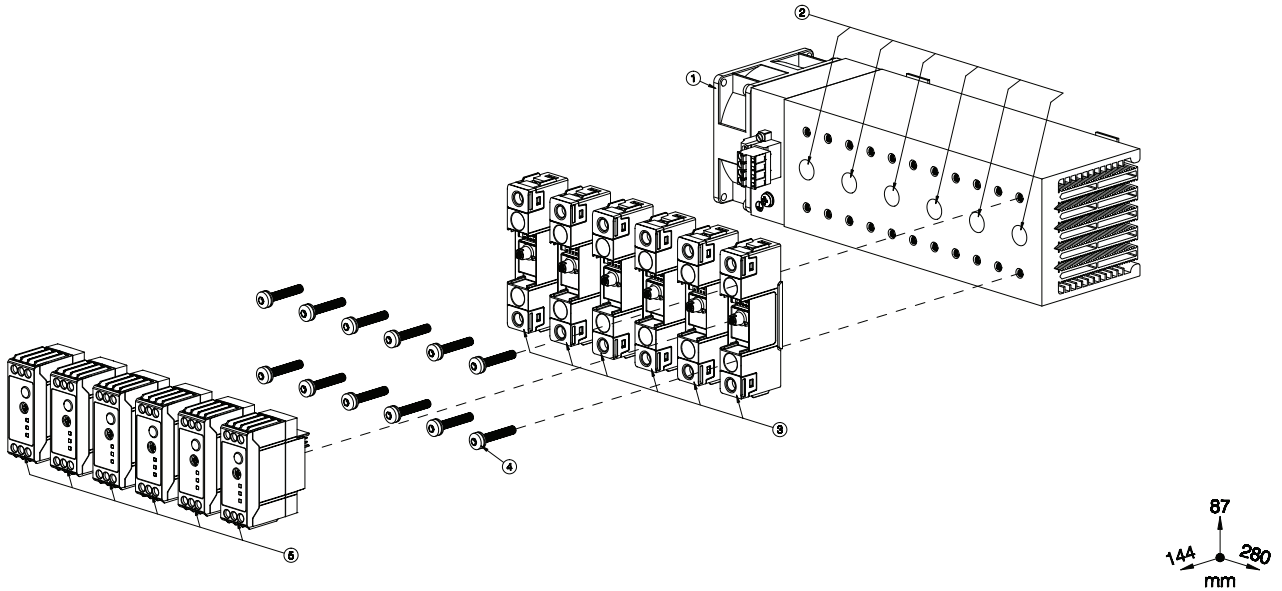
RGS1 18mm Module



Element	Component	Qty	RHS28011F
1	RHS28011F80-24P heatsink assembly	1	Provided
2	Thermal Compound HTS02S	1	Provided
3	RGS1 SSR 18x90mm (max.)	11	Not provided
4	M5x30mm Torx T20 + Washer (per SSR)	2	Provided (x22)

Note:
Dimensions including the SSR.

RGS1 22.5mm Module



Element	Component	Qty	RHS28011F
1	RHS28011F80-24P heatsink assembly	1	Provided
2	Thermal Compound HTS02S	1	Provided
3	RGS1 Power Module 18x90mm (max.)	6	Not provided
4	M5x30mm Torx T20 + Washer (per SSR)	2	Provided (x22)
5	RGS1S Control Module 22.5x65mm (max.)	6	Not provided

Note:
Dimensions including the SSR.

Features

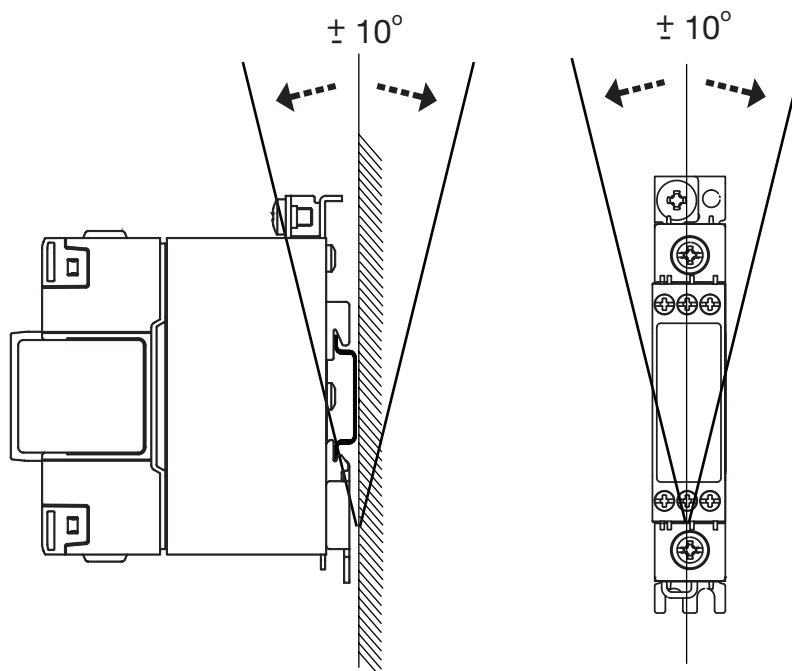
General

SSR max. mounting torque	1.5Nm (13.3 lb-in)
PE screw	M4, max. 1.5Nm (13.3 lb-in)
Weight (excl. SSR)	approx. 2580g
Material	Aluminium
Finish	Silver anodization
Fan mounting	Integrated
Fan supply voltage	24VDC
Power consumption	6 Watts
Current consumption	250 mA
Overtemperature protection	90°C

Terminal Block Specifications

Number of positions	4
Conductor cross section Solid / Stranded	min. 0.2mm ² (AWG24) max. 2.5mm ² (AWG12)
Conductor cross section Stranded with ferrule	min. 0.25mm ² max. 2.5mm ²
2 conductors with same cross section, stranded TWIN ferrules with plastic sleeve	min. 0.5mm ² max. 1.5mm ²

Mounting position



Installation

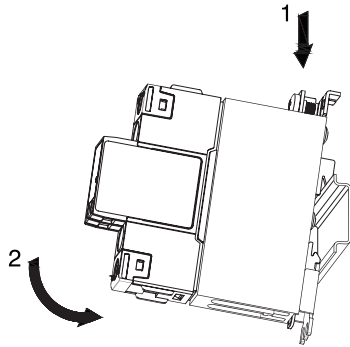


Fig. 1 Mounting on DIN rail

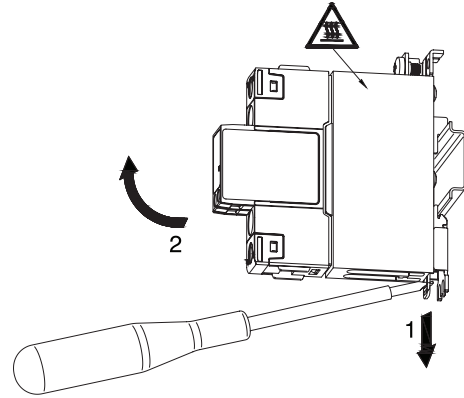
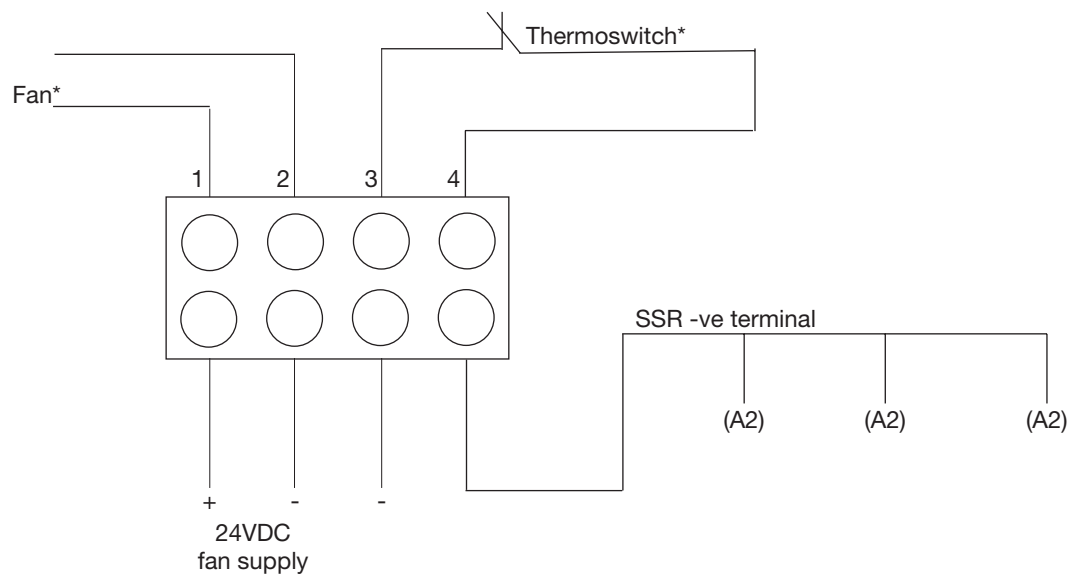


Fig. 2 Dismounting from DIN rail

Illustrations are for example only.

Connection Diagrams



1 red wire

2 black wire

3 green wire

4 green wire

*Fan and thermoswitch are assembled by manufacturer

Recommended maximum current rating (per SSR)

1. The below recommendations are only valid when the assembly (SSR + heatsink) is mounted as shown in the mounting instructions unless otherwise indicated.
2. The indicated ratings are applicable to one SSR, one pole. Please refer to the online selector tool at www.productselection.net for different load currents, surrounding temperatures or multiple units on one heatsink.
3. These recommendations are applicable only with the indicated Carlo Gavazzi thermal interface material between SSR and heatsink. In case a different thermal interface is utilised these recommendations may no longer be valid.

Thermal compound, HTS02S

1x 1-phase SSR	Surrounding temperature						
	°C °F	20 68	30 86	40 104	50 122	60 140	70 158
RGS1..E	25	25	25	25	25	25	25
	50	50	50	50	50	50	50
	51	50	50	50	50	50	50
	75	75	75	75	75	75	75
	90 91 92	90	90	90	90	90	84.5
RGS1..U	20	20	20	20	20	20	20
	30	30	30	30	30	30	30
RGS1S..E	20	23	23	23	23	23	23
	30	30	30	30	30	30	30
	31	30	30	30	30	30	30
	92	90	90	90	90	90	84.5
RGS1D..	15	15	15	15	15	15	15
	25	25	25	25	25	25	25

Thermal pad RGHT

1x 1-phase SSR	Surrounding temperature						
	°C °F	20 68	30 86	40 104	50 122	60 140	70 158
RGS1..E	25	25	25	25	25	25	25
	50	50	50	50	50	48	41.5
	51	50	50	50	50	47	40.5
	75	75	75	70	62.5	55	47.5
	90 91 92	85.5	82	74.5	67	59	50.5
RGS1..U	20	20	20	20	20	20	20
	30	30	30	30	30	30	30
RGS1S..E	20	23	23	23	23	23	23
	30	30	30	30	30	30	30
	31	30	30	30	30	30	30
	92	85.5	82	74.5	67	59	50.5
RGS1D..	15	15	15	15	15	15	15
	25	25	25	25	25	23	20



References

CARLO GAVAZZI compatible components

Purpose	Component name/code	Notes
Thermal pads	RGHT	Packing qty. 10 pcs, suitable for RG SSRs
Thermal compound	HTS02S	2.38 ml sachet of silicon based thermal compound
Screw Kits	SRWKITM5X30MM	Packing qty. 20 pcs

Further reading

Information	Where to find it
Online heatsink selector tool	https://gavazziautomation.com/nsc/HQ/EN/solid_state_relays
Accessories	https://gavazziautomation.com/images/PIM/DATASHEET/ENG/SSR_Accessories.pdf

Order code



RHS28011F80-24P



COPYRIGHT ©2020
Content subject to change. Download the PDF: <https://gavazziautomation.com>