

Accessories

Sensor Tester

Type ST-03



- NAMUR (EN 50 227)
- 2-wire DC
- 3-wire DC
- 4-wire DC

Product Description

The fastest way to verify the main function on your sensor. The tester can be used for: Namur (EN 50 227), 2-wire DC, 3-wire DC and 4-wire DC. Connect your sensor to the terminals on the sensortester. The sensor-type (NPN or PNP) and output status NO (normally open) and (normally closed) is shown on the correspondent LED. Red LED for NPN and green for PNP. A buzzer will tell you if the output is active.

Fault function on the tester can be: Wrong sensor (e.g. AC sensors), defect sensor. The wire is not connected correct. The fuse in the tester is burned. The battery is flat.

For connection see the wiring diagram on the sensor tester. To replace the batteries (2x9V, e.g. PP3) or fuse (100mA f) remove the screw on the backside of the sensor tester.

Ordering Key

ST-03

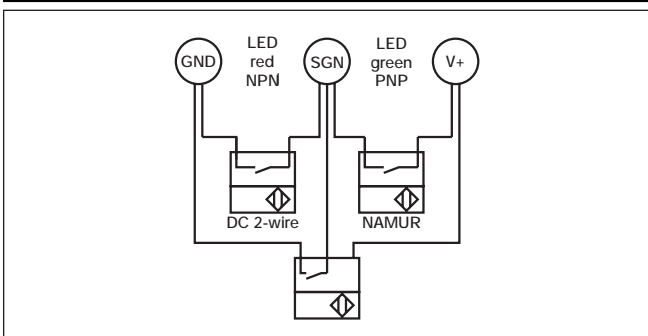
Type _____

Type Selection

Ordering number _____

ST-03

Wiring Diagram



Terminals	GND	SGN	V+
Sensortype			
NAMUR	-	BU(2)	BN(1)
DC 2-wire NO	BU(4)	BN(1)	-
DC 2-wire NC	BU(2)	BN(1)	-
DC 3-wire NO	BU(3)	BK(4)	BN(1)
DC 3-wire NC	BU(3)	BK(2)	BN(1)
DC 4-wire NO	BU(3)	BK(4)	BN(1)
DC 4-wire NC	BU(3)	WH(2)	BN(1)

(.) refers to the pin numbers.