

# SxQP360L



## Extended range PIR sensor



### Description

The SxQP360L is a 360° PIR sensor to detect presence and/or movement in indoor installations with a built-in luxmeter, combining two products in one.

It is part of the Carlo Gavazzi building automation system and can be used to control lights, rollerblinds, air-conditioning, intruder alarms and all the other functions supported by the system, in an automatic way depending on people-presence. This sensor is completely programmable via the UWP/Sx tool.

### Benefits

- **Integrated system.** Dupline® is the brand name for Carlo Gavazzi's 2-wire bus system.
- **Cost reduction.** The use of a bus system is a proven way to reduce installation costs – especially when the distance between I/O points are extensive.
- **Fast and easy installation.** Completely free topology, no special cable required, no screen or twist. It can go for 2 km and even further with repeaters.
- **High noise immunity.** Can run next to power cables.
- **Scalability.** New modules can be progressively integrated into the system according to the application needs.
- **Modularity.** The system is composed by many modules, powered by the bus, so that each installation can be precisely and easily sized.

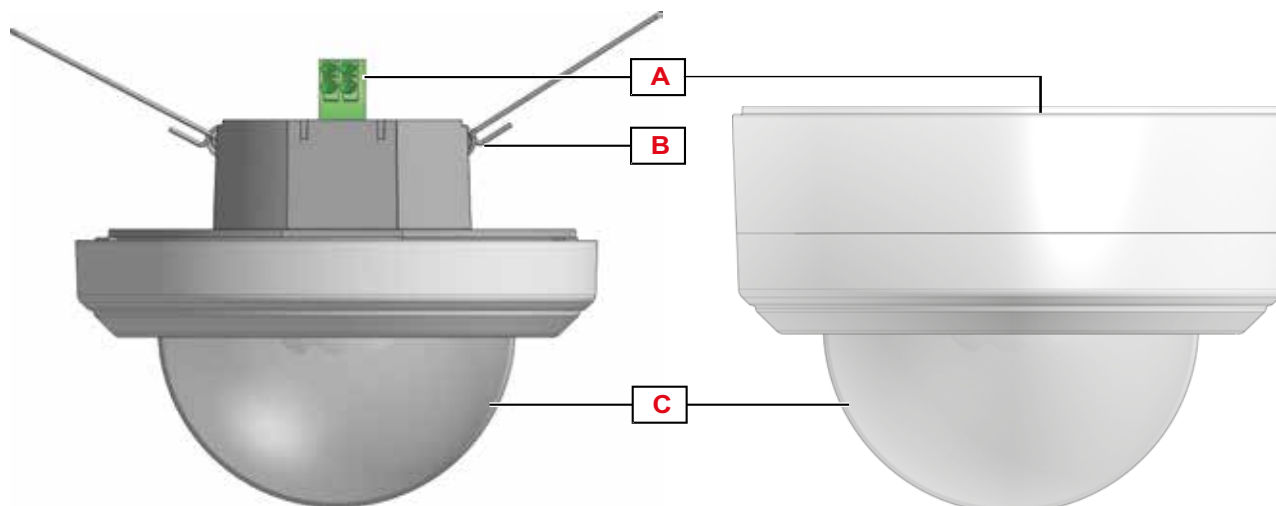
### Applications

Home and building automation.

### Main features

- Detection range: SHQxxx Ø 14 m at 2.7 m, SBQxxx Ø 24 m at 2.7 m
- Mounting height: SHQxxx 2 m...8 m, SBQxxx 2 m ...6 m
- Detection angle: 360°
- Presence and movement detection
- Integrated daylight sensor: light measuring range 0 to 80 klux
- Programmable blue and white LEDs
- Programmable detection area
- Indoor and outdoor installation
- Powered by the bus

## Structure



Element	Component	Function
A	Dupline bus	Detachable 2 x spring terminals, 1.5mm <sup>2</sup> - D+, D-
B	Mounting brackets	For built-in mounting
C	Sensing elements and LEDs	3 pyroelectric sensors. One white LED, one blue LED

## Features

### General

<b>Material</b>	White plastic (ABS/TBD), RAL9003
<b>Dimensions</b>	Surface: $\varnothing$ 96.5 x 70.6 Built-in: $\varnothing$ 95.0 x 81.5
<b>Weight</b>	25 g
<b>Protection grade</b>	SxQP360L: IP20 SxQP360L...O: IP55
<b>Pollution degree</b>	3 (IEC 60664)

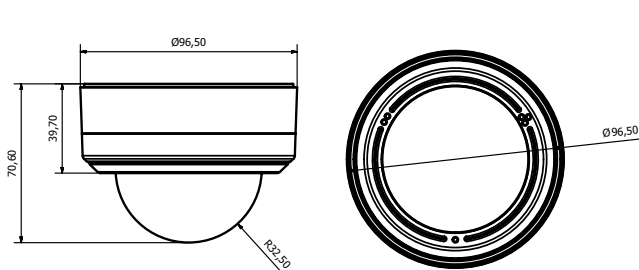


Fig. 1 Surface version

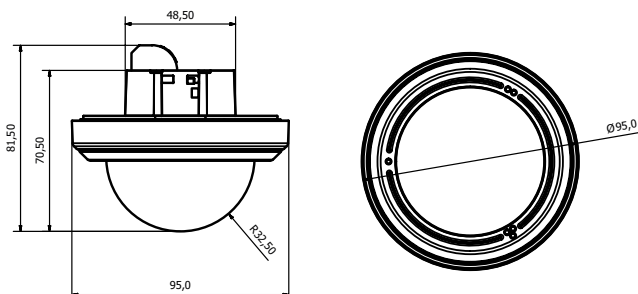



Fig. 2 Built-in version

### Environmental

<b>Operating temperature</b>	-20° to +50°C (-4° to 122°F)
<b>Storage temperature</b>	-5° to +85°C (-58° to +185°F)
<b>Humidity (non-condensing)</b>	20 to 90% RH

### Compatibility and conformity

<b>Electromagnetic compatibility (EMC) - immunity</b>	EN 61000-6-2
<b>Electromagnetic compatibility (EMC) - emissions</b>	EN 61000-6-3
<b>Approvals</b>	

### Power Supply

<b>Power Supply</b>	Supplied by bus
---------------------	-----------------

## Dupline®

<b>Voltage</b>	8.2 V
<b>Maximum Dupline® voltage</b>	10 V
<b>Minimum Dupline® voltage</b>	4.5 V
<b>Maximum Dupline® current</b>	7 mA (all LEDs ON)
<b>Addressing</b>	Automatic: the controller recognises the module through the SIN (Specific Identification Number) that has to be inserted in the UWP/Sx tool. Used channels: max. 3 input channels (presence, movement, alarm), max. 2 output channels (blue LED, white LED).

## Input specifications

<b>PIR</b>	<b>SBQP360L...</b> : 3 pyroelectric sensors, configurable via software	<b>Detection angle:</b> 3 pyros 360°, 2 pyros 240°, 1 pyros 120° <b>Detection range:</b> 3 pyros, Ø 24m, @ 2.7m; 2 and 1 pyros: see diagram
	<b>SHQP360L...</b> : 1 pyroelectric sensor	<b>Detection angle:</b> 360° <b>Detection range:</b> Ø 14 m, @ 2.7 m
	Configurable detection signals	Presence (central zone @ 5 m), movement, alarm. Each of this signals has independent filter
<b>Luxmeter</b>	<b>Range:</b> 0..80000 LUX (resolution 1 Lux) <b>Measurement drift across temperature (typ):</b> 0.01 %/°C	

## Output specifications

<b>LED</b>	1 white / 1 blue The LEDs can be used: - to identify the device during commissioning (only blue one, slow blinking) - as guide light - as feedback LED for presence/movement detection - as output signal
------------	--



## Mode of operation

This PIR sensor responds to any fluctuation in infrared heat radiation, so any object or human presence changes the thermal image detected by the sensor when entering its field of vision.

The sensor is equipped with a segmented lens that divides the field of vision into active and passive zones (zones not visible to the sensor, see figure 3).

When a heat source crosses these zones, the sensor detects the change in infrared radiation and presence and/or movement are recognised.

How sensitive and fast the sensor has to be to detect presence and/or movement can be programmed by means of four parameters, by means of the UWP/Sx tool.

The four parameters are: mode of detecting the crossing of active zones, sensitivity, number of pulses and time window in which these pulses have to be detected. These four parameters have to be set for the presence, movement and alarm signals.

Movement is used to switch the light on, while presence is used in the light function to reload the energy-save timer (i.e. each time presence is detected, the energy-save timer starts counting from the beginning).

### Mode of detection

A: one border between the active and the passive zone has to be crossed to give a pulse signal. This option has to be selected for presence detection and movement and turns the light on as soon as a person moves from an active to a passive area or vice versa (very quick response).

B: two borders have to be crossed to give a pulse signal. The person has to move from an active area to another active area, passing through a passive one or vice versa.

This option is recommended for sensors used in the intruder alarm function, in order to avoid false alarms.

### Sensitivity

A number can be set from 3 to 100: the smaller this value is, the longer the detection distance, but the higher the sensitivity to heating sources. In the figures 4, 5, 6 and 7, examples of different sensitivity can be seen.

### Number of pulses

The number of pulses is calculated according to mode A or B before sending a people detection message to the controller. This can be set from 1 to 8.

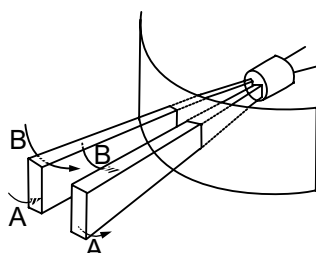


Fig. 3 Active and passive zones

### Time window

This is the time interval within which the predefined number of pulses is detected. It can be set from 1 to 10 seconds.

In the table below is an example of settings which, of course, might depend on environmental conditions, application and type of installation.



	Presence	Movement	Alarm
Mode of detection	A	A	B
Sensitivity	10..30	30..70	50..100
Number of pulses	1	1	3
Time window	10	2	10

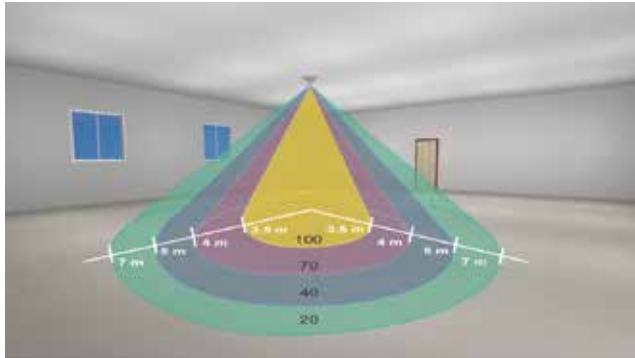


Fig. 4 Detection area vs. sensitivity - SHQP360L7...

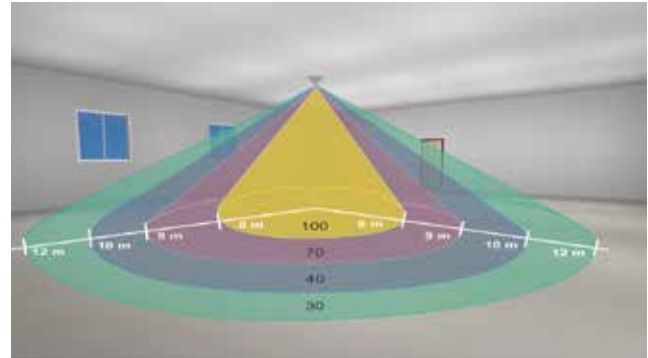


Fig. 5 Detection area vs. sensitivity - SBQP360L24...

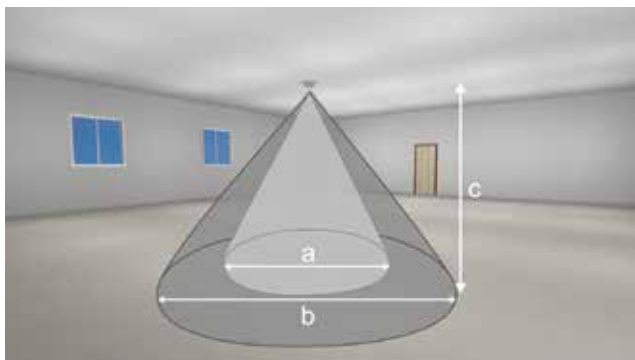


Fig. 6 Detection area - SHQP360L7...

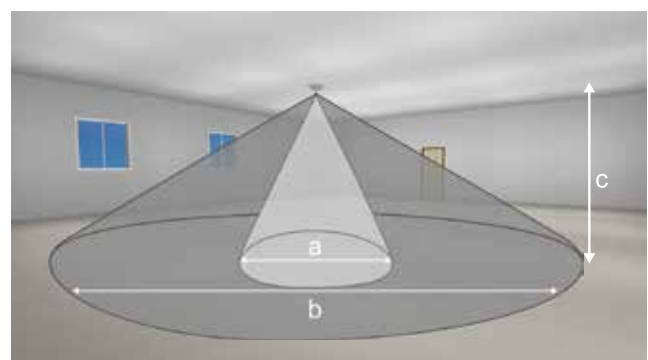


Fig. 7 Detection area - SBQP360L24...

SHQP360L7...			SBQP360L24...		
Height (c)	Presence (a)	Movement (b)	Height (c)	Presence (a)	Movement (b)
2.4 m	5 m	12 m	2 m	5 m	20 m
2.7 m - 3 m	5 m	14 m	2.4 m	5 m	22 m
3 m - 8 m	5 m	16 m	2.7 m - 3 m	5 m	24 m
			3 m - 6 m	5 m	26 m

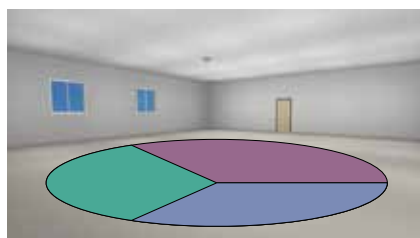


Fig. 8 Three enabled sensors

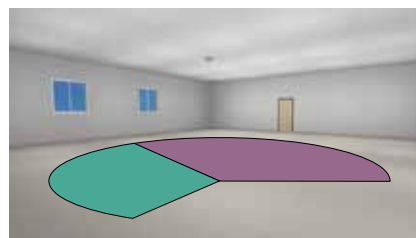


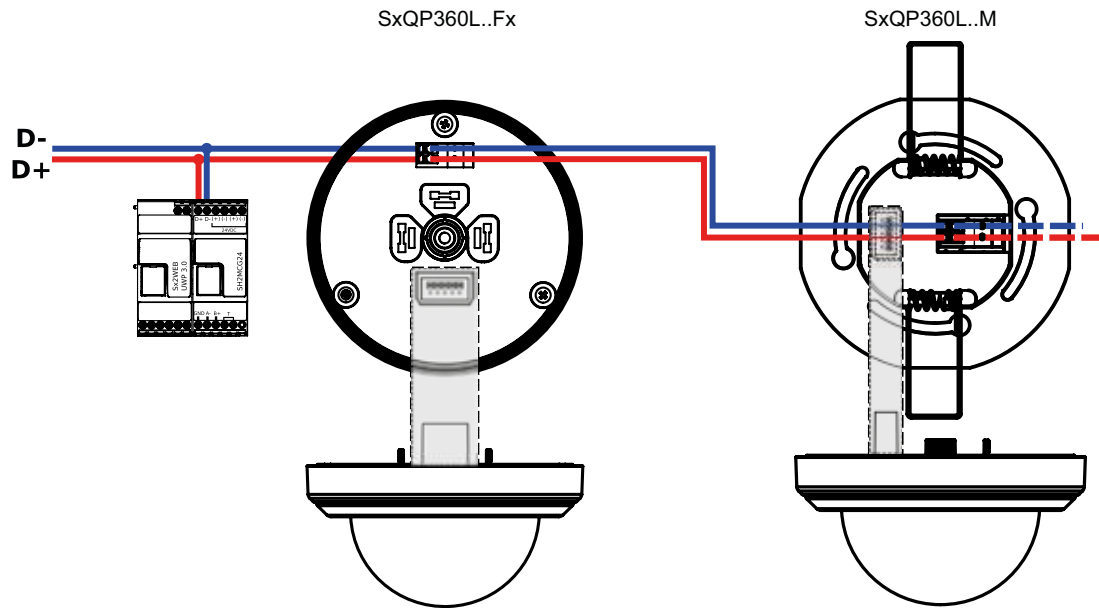
Fig. 9 Two enabled sensors



Fig. 10 One enabled sensor

SBQP360L24...: 3 pyroelectric sensors. They can be disabled via the configuration tool.

# Connection Diagrams



## References

### Further reading

Information	Document	Where to find it
UWP3.0 installation guide	System manual	<a href="http://www.productselection.net/MANUALS/UK/uwp3.0_system.pdf">www.productselection.net/MANUALS/UK/uwp3.0_system.pdf</a>
UWP3.0 software manual	UWP3.0 tool manual	<a href="http://www.productselection.net/MANUALS/UK/uwp3.0_tool.pdf">www.productselection.net/MANUALS/UK/uwp3.0_tool.pdf</a>

### Order code

 S  QP360L

Complete the code entering the corresponding option instead of

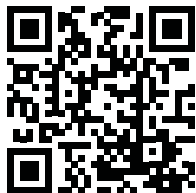
Code	Option	Description
S	-	Smart building
<input type="checkbox"/>	B	Long distance
	H	Short distance
Q	-	Ceiling mounting
P	-	Pir sensor
360		Detection angle
L		Luxmeter
<input type="checkbox"/>	24M	452 m <sup>2</sup> Detection area
	7M	154 m <sup>2</sup> Detection area
<input type="checkbox"/>	F	Surface
<input type="checkbox"/>	O	IP55 - available only with F (surface) version

Mounting	Distance	Detection area	Protection grade	Code
Built-in	24 m	452 m <sup>2</sup>	20	SBQP360L24M
Built-in	14 m	154 m <sup>2</sup>	20	SHQP360L7M
Surface	24 m	452 m <sup>2</sup>	20	SBQP360L24MF
Surface	24 m	452 m <sup>2</sup>	55	SBQP360L24MFO
Surface	14 m	154 m <sup>2</sup>	20	SHQP360L7MF
Surface	14 m	154 m <sup>2</sup>	55	SHQP360L7MFO

### CARLO GAVAZZI compatible components

Purpose	Component name/code	Notes
Controller	Sx2WEB24 / UWP 3.0	
Bus generator	SH2MCG24 /SBP2MCG324	





COPYRIGHT ©2015  
Content subject to change. Download the PDF: [www.productselection.net](http://www.productselection.net)