

Smart Dupline® Keypad Type BACC-KEYPAD-DC-U

CARLO GAVAZZI



- smart-house keypad for building access control and alarm control
- Indoor or outdoor applications
- Three programmable LEDs
- Built-in buzzer
- Power supply: 12VDC

Product Description

This keypad can be used to control several events in the building, e.g. alarm arming/disarming including zone alarm, doorbell, switching of appliances, etc.

It is part of the smart-house concept and can be used with all the functions supported by the smart-house controller.

Ordering Key BACC KEYPAD DC U

Automation components

Type of module

Supply

Smart Dupline®

Type Selection

Colour

Black and white

LEDs

3

Supply

BACC-KEYPAD-DC-U

Input Specifications

Keypad

12 push buttons

Output Specifications

LED's

3, programmable,
1 yellow, 1 red, 1 green

Dupline® Specifications

Voltage	8.2 V
Maximum Dupline® voltage	10 V
Minimum Dupline® voltage	4.5 V
Maximum Dupline® current	2 mA

Supply Specifications

Power supply	9-17 VDC
Current consumption	Max. 100 mA

General Specifications

Address assignments/
channel programming

If it is used with the SH2WEB24 the address assignment is automatic: the controller recognises the module through the SIN (Specific Identification Number) that has to be inserted in the SH tool.
If it is used with the BH8-CTRLX-230: Not possible – pre-coded to 5 fixed addresses, see channel table.

Indications

3 LEDs, one yellow and two dual colour red/green LEDs. The behaviour of the three LEDs is user configurable. Built-in buzzer.

Environment

Degree of protection
Operating temperature
Storage temperature
Humidity (non-condensing)

IP 67
-15° to 60°C (5° to 140°F)
-30° to 80°C (-22° to 176°F)
100%

Dimensions

Without frame

130 x 50 x 8 mm



General Specifications (cont.)

Number of wires	4-wire cable, 8 m length	- Power frequency magnetic fields - Voltage dips, variations, interruptions Emission - Conducted and radiated emissions - Conducted emissions - Radiated emissions	EN 61000-4-8 EN 61000-4-11 EN 61000-6-3 CISPR 22 (EN55022), cl. B CISPR 16-2-1 (EN55016-2-1) CISPR 16-2-3 (EN55016-2-3)
CE Marking	Yes		
EMC			
Immunity	EN 61000-6-2		
- Electrostatic discharge	EN 61000-4-2		
- Radiated radiofrequency	EN 61000-4-3		
- Burst immunity	EN 61000-4-4		
- Surge	EN 61000-4-5		
- Conducted radio frequency	EN 61000-4-6		

Mode of Operation

This keypad is fully programmable. The user operates the keypad by pressing the keys from 0-9, the hash (#) and the bell (☎) symbol. Different codes can be selected for different users, and codes can be added, modified and deleted.

The LEDs are used for indication of different signals when the keypad is operated, and the red and green LEDs can also be controlled by the smart-house bus. By configuration change, the behaviour of the LEDs can be set to other combinations. See the user manual for overview.

The buzzer signals when a key is pressed and gives also a signal whenever other keypad events occur, e.g.

correct code entered, wrong code entered etc. The buzzer can be accessed by smart-house bus as well.

BACC-KEYPAD-DC-U connected to the SH2WEB24 Coding/Addressing

If the keypad is connected to the SH2WEB24 controller, no addressing is needed since the module is provided with a specific identification number (SIN): the user has only to insert the SIN number in the SH Tool when creating the system configuration. The red and green LEDs are also configurable via the SH Tool: the user can associate it to any function as a feedback led.

Used channels: 2 input channels, 3 output channels.

Configuration is carried out by keying in new values on the keyboard, either directly,

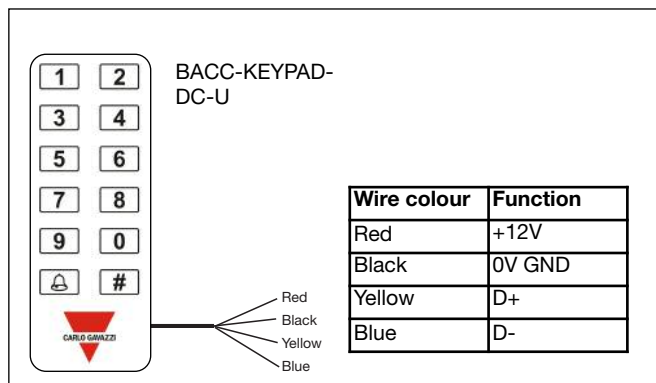
or after having first removed power to the unit (selectable).

BACC-KEYPAD-DC-U connected to the BH8-CTRLX-230

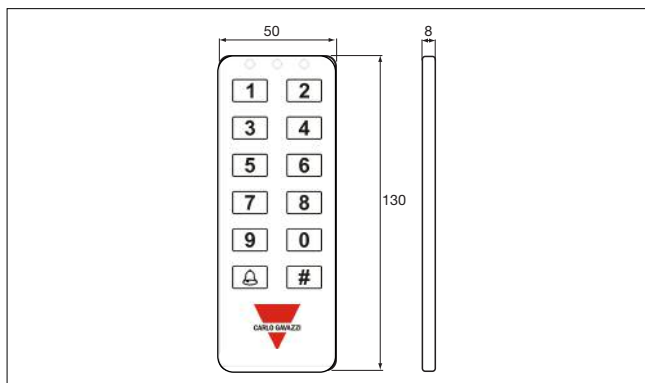
Coding/Addressing
Not possible – pre-coded to 5 fixed addresses, see channel table below

Address	Function
B3	Output as a result of an operation of the bell key, or code 2 accepted if multi-access control is selected
B4	Code accepted or code 1 accepted if multi-access control is selected
B5	Address of the top middle LED, red when active
B6	Address of the top right LED, green when active
B7	Address of the buzzer

Wiring Diagram



Dimensions



Mouser Electronics

Authorized Distributor

Click to View Pricing, Inventory, Delivery & Lifecycle Information:

[Carlo Gavazzi:](#)

[BACC-KEYPAD-DC-U](#)