

Transmitter with Magnetic Proximity Switch Function Type G 8910 1101



- ABS housing cylindrical
- Ø11 or M14 housing
- Sensing distance: 8 mm
- Supplied by Dupline[®]
- 1.5 m cable
- Channel coding by GAP 1605 with ADAPT 1605

Product Description

Non-powered Dupline[®] magnet-operated proximity switch with built-in transmitter. Available in Ø11 plastic housing or

with M 14 metal thread. Monitoring of open doors and windows in building installations.

Ordering Key

G 8910 1101

Type: Dupline[®]
Type

Type Selection

Housing diameter

Nominal sensing distance
 S_n

Ordering no.

1 channel
magnet-operated proximity switch

Ø11 mm
M14 mm

8 mm
8 mm

G 8910 1101
G 8910 1101 G

Input Specifications

Input	Magnetic proximity switch
Sensing distance measured from front end:	
Nominal sensing distance S_n	8 mm
Operating sensing distance S_a	$5 \text{ mm} \leq S_a \leq 15 \text{ mm}$
Release distance	$\leq 30 \text{ mm}$
Response time	≤ 1 pulse train

General Specifications

Environment	
Degree of protection	IP 67
Pollution degree	3 (IEC 60664)
Operating temperature	-20° to +50°C (-4° to +122°F)
Storage temperature	-20° to +70°C (-4° to +158°F)
Mechanical resistance	
Shock	15 G (11 ms)
Vibration	2 G (6 to 55 Hz)
Tightening torque (G8910..G)	17.5 Nm
Material	
Housing	PBT VALOX 325M
Thread (G8910..G)	Nickel-plated brass
Front	PBT VALOX 325M
Back	PBT VALOX 325M
Cable type	Grey PVC, oil proof 4 x 34 mm ²
Cable length	1.5 m
Weight	
G 8910 1101	40 g
G 8910 1101 G	60 g

Supply Specifications

Power supply	Supplied by Dupline [®]
Reverse-polarity protection	Yes
Rated operational current	< 550 µA

Mode of Operation

The G 8910 1101 (G) is an ordinary magnetic proximity switch, but with built-in Dupline® transmitter.

When the distance between magnet and transmitter exceeds 30 mm, the channel in question is deactivated.

ON if one of the connected magnetic proximity switches is activated.

Note:

After programming, the white, black and blue wires must be connected to Dupline® ground.

Once a magnet is brought within sensing distance of the magnetic proximity switch, the channel in question is activated.

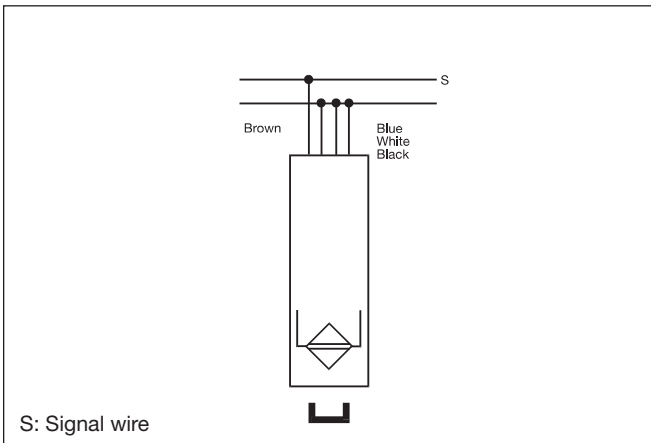
Several transmitters coded to the same channel may be used within an application. In this case the channel turns

It is necessary to use the wire adapter box, ADAPT 1605, together with the programming unit, GAP 1605, in order to program the channel.

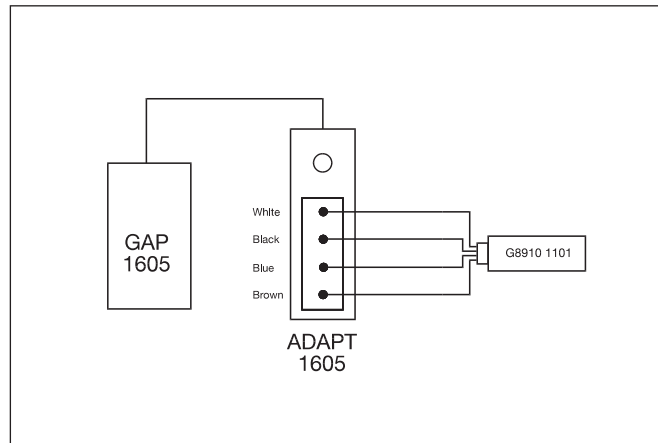
Operation Diagram



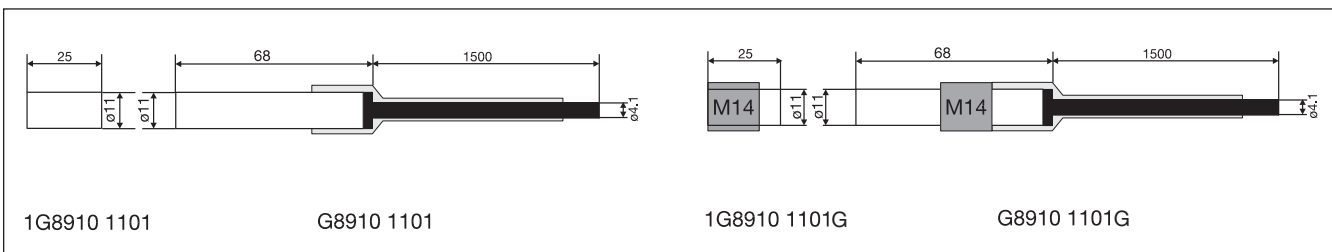
Wiring Diagram



Channel Programming



Dimensions



Additional Information

Scope of supply

G 8910 1101 supplied with magnet type 1G8910 1101
 G 8910 1101 G supplied with magnet type 1G8910 1101G

Accessories

Magnet	1G8910 1101
Magnet with thread	1G8910 1101G
Programming adapter box	ADAPT 1605