

# Hour meter

## 24 x 48 digital hours meters

### Type FSA

CARLO GAVAZZI



FSA

- 8 digit LCD display
- 8mm digits
- Reset button with locking function
- 8 years battery lifetime
- Electrical or manual reset input
- Setting time mode (through electrical control)
- For front panel mounting
- 24x48mm housing

## Product Description

24x48mm hour meters for flush mounting. 10 to 260 V AC or DC input. The front key, which can be locked, allows fast and easy input reset. NPN input to set the time range (Mode) and to enable the device reset.

## Ordering Key

**FSA 01 A12 85 0**

Type \_\_\_\_\_  
 Time range \_\_\_\_\_  
 Housing \_\_\_\_\_  
 Backlight \_\_\_\_\_  
 Input type \_\_\_\_\_

Stock items: FSA01A12850 FSA01A12853  
 FSA02A12850 FSA02A12853

## Approvals



## Backlight

85	Without backlight
86	With backlight

## General Data

Display	8 digits LED type
Dimensions of digits	H 8mm/0.31"
Viewing angle	frontal
Colour of digit figures	X
Power supply	Non-replaceable lithium battery (lifetime up to 8 years at 20°C)
Backlight consumption	24VDC ±20% 5mA
Operating temperature	-10...+55°C/14...151°F
Storage temperature	-20...+70°C/-4...158°F
Mounting position	Panel mounting
Housing colour	RAL7021 (grey)
Dimensions LxH	24x48 acc. to DIN 43700 STD
Weight	50g/1.76oz
Panel cut-out LxH	22.2 <sup>+0.3</sup> x45 <sup>+0.6</sup> mm/0.87 <sup>+0.01</sup> x1.77 <sup>+0.027</sup>
Protection degree	IP65 (front)
Pollution degree	2
EMC	acc. to directive 89/36/ENG
emitted:	EN61000-6-3, EN550011 class B
immunity:	EN61000-6-2 EN61010 (AC version only)

## Time Range

01	99999h 59m / 99999.99h
02	9999h 59m / 9999999.9s

## Input Type

	Type A	Type B
0	-	0÷0.7VDC NPN
1	-	4÷30VDC PNP
3	10÷260VAC/DC	10÷260VAC/DC

## Measuring Specifications

Time range	FSA01 FSA02	99999h 59m / 99999.99h 9999h 59m / 9999999.9s
Counting system		adding
Counting system		programmable
Reset	Manual Electrical Pulse time	front push button rear input type0/1: <50ms type2: <16ms
Reset key locking	N.C. / High low level	locked active

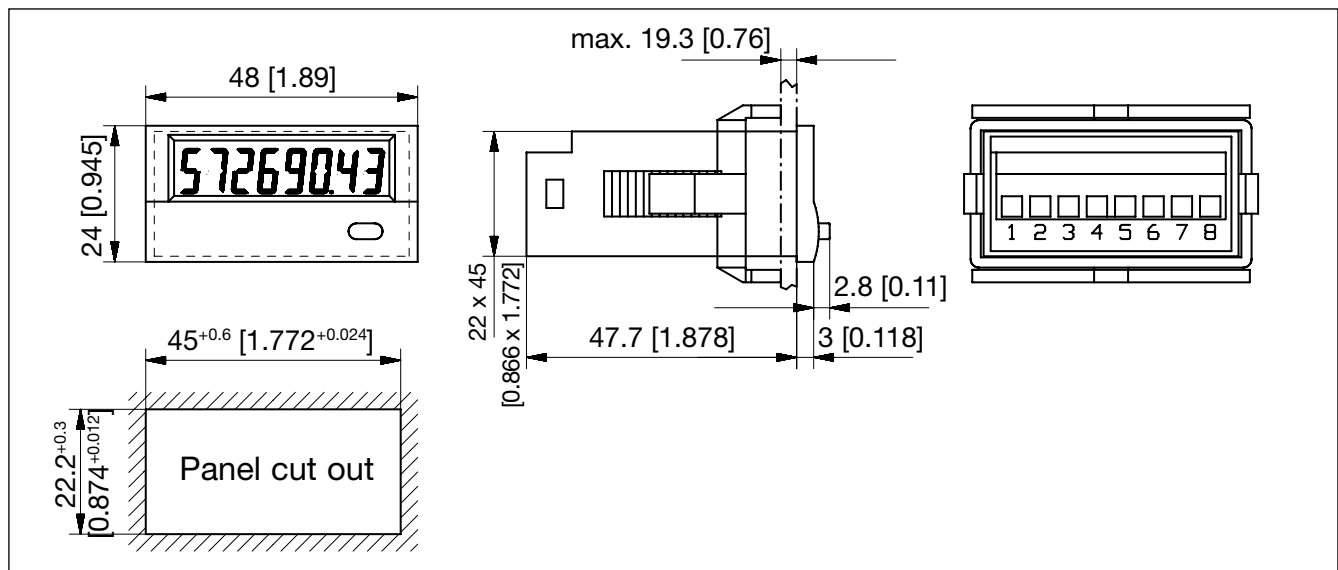
## Input Specifications

<b>Voltage range</b>	0÷30VDC (types 1 and 2) 0÷260VAC/DC (type 3)
<b>Switching level</b>	
Type 0	Low: 0÷0.7V High: 3÷30V
Type 1	Low: 0÷0.7V High: 4÷30V
Type 3	Low: 0÷2V High: 10÷260AC/DC

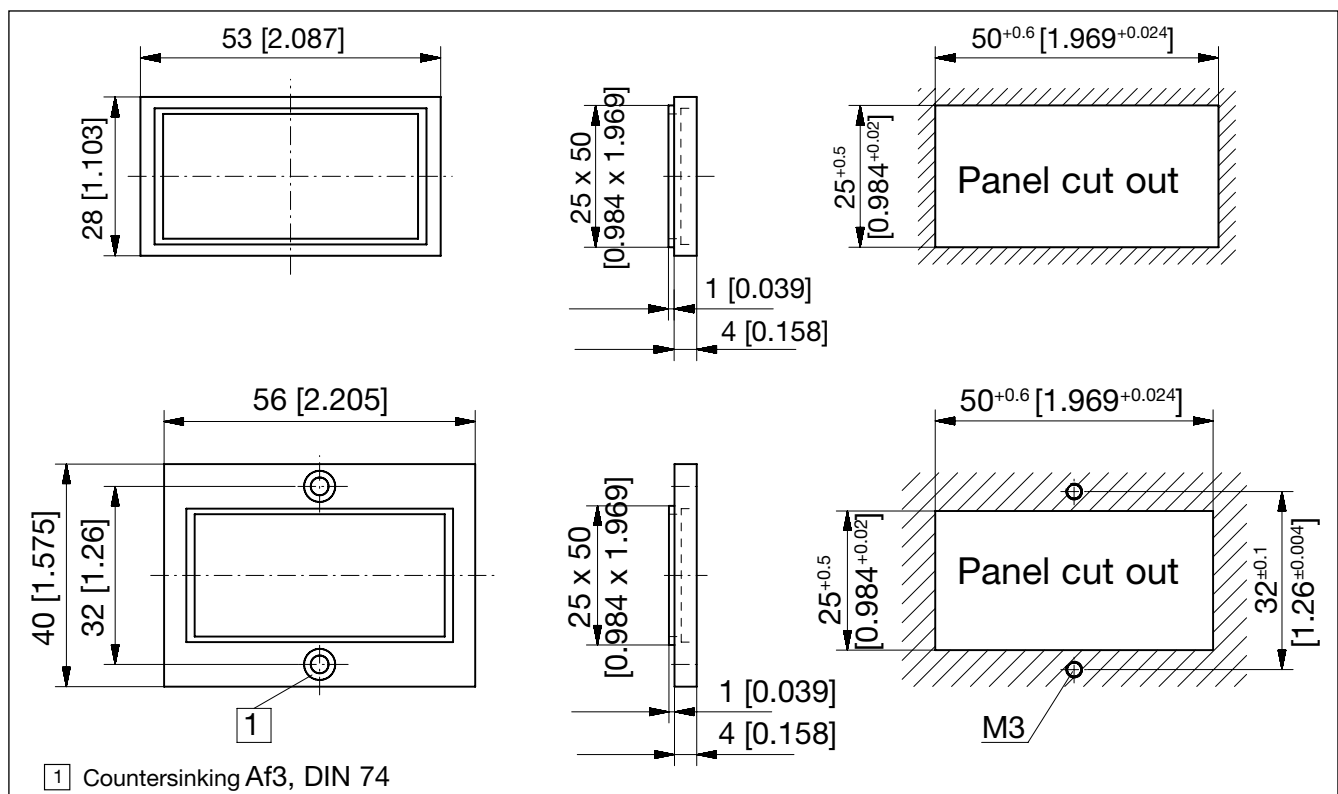
## Package Content

1	Instrument FSA
1	Panel mounting clip
1	Bezel for screw mounting (56x40mm/2.205x1.575"), panel cut-out (50x25mm/1.969x0.984)
1	Bezel for clip mounting (53x28mm/2.087x1.103"), panel cut-out (50x25mm/1.969x0.984)
1	Gasket
1	Multilingual operating manual

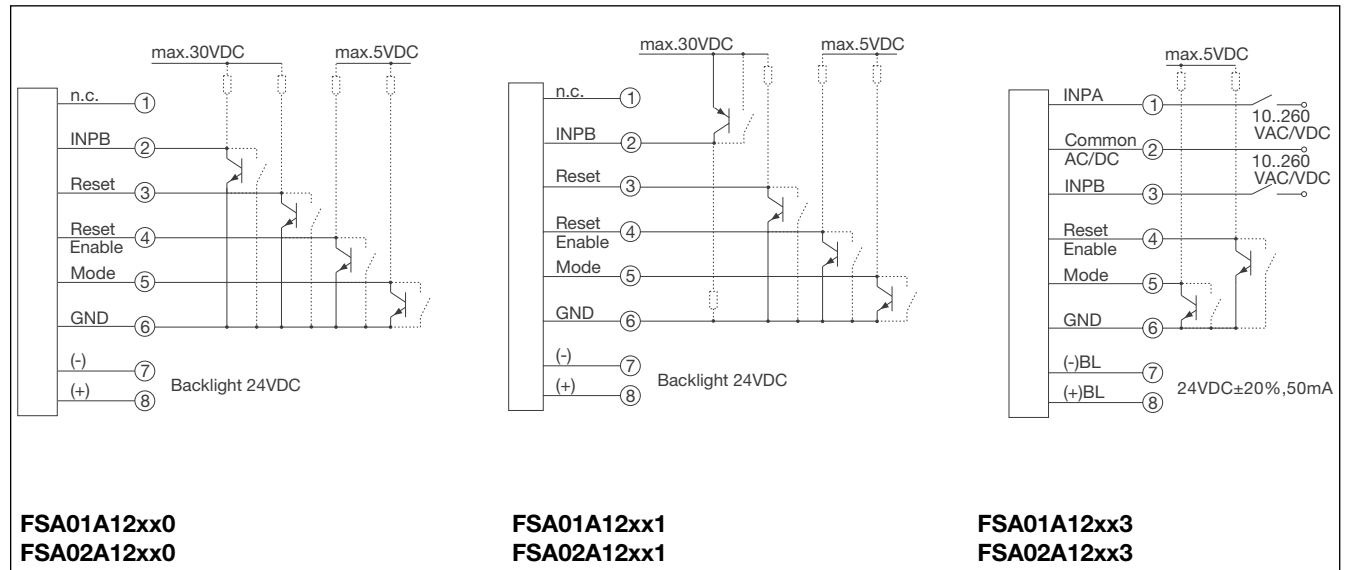
## Dimensions (mm/inches)



## Bezel Dimensions (mm/inches)



## Connections



## Display

