

QWCD Series

A new concept of using the horn cover as a light globe



PRODUCT SPECIFICATION

QWCD35(SD) | QWCD50(SD)
QWCD35T(SD) | QWCD50T(SD)
QWCD35B | QWCD35BT

Materials Horn-PC, Housing-PC+ABS

Ambient operating temperature

-30°C to +50°C(Standard type/buzzer type)

-50°C to +50°C(Low temperature type only DC)

-20°C to +50°C(SD Card type)

Protection rating IP66

Flashing rate 60-80 flashes/min

Compliant with RoHS directive

- Combination of built-in 31 sounds and MP3(SD Card)
- High-volume buzzer sound (buzzer type)

- Easy device customization with built in sound selection function, volume adjustment function and an SD Card slot for user inputted tones
- 31 pre-recorded tones available via binary input.
- The user can select their own tones by inputting the MP3 file directly into the SD Card
- Suitable for use in environments that require a tight seal and superior dust protection rated IP66.
- Terminal box is attached separately for convenient wiring(QWCD35T, QWCD35TSD, QWCD50T, QWCD50TSD, QWCD35BT)
- High-volume buzzer output(QWCD35B, QWCD35BT)
- Support for CAN communication type products (Customization : QWCD35, QWCD35T)

Qlight's exclusive innovative design the horn cover emits light!

- By using the horn cover as a light globe, the size of the product has been reduced significantly
- The color of light can be selected from red, yellow, green, or blue
- Product has two models: the basic model with 31 built-in sounds, and an external sound (MP3) type model
- Includes seven different playback functions; one function is the continuous playback function which provides constant message notification
- Can play special alarm sounds depending on environment, and supports binary input method
- Can play up to 31 sounds by saving MP3 files on SDcard
- By making the horn cover with polycarbonate (PC) material, The product has excellent durability and weather resistance
- Can be used for heavy-duty, ship, or outdoor use which requires waterproof, dustproof structure (IP66)

The input method of built-in sound type

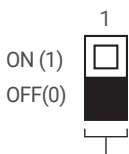
	1	2	3	4	5
ON	<input type="checkbox"/>	<input type="checkbox"/>	<input type="checkbox"/>	<input type="checkbox"/>	<input type="checkbox"/>
OFF	<input type="checkbox"/>	<input type="checkbox"/>	<input type="checkbox"/>	<input type="checkbox"/>	<input type="checkbox"/>
No.	1	2	3	4	5
0	0	0	0	0	0
1	0	0	0	0	1
2	0	0	0	1	0
:	:	:	:	:	:
31	1	1	1	1	1

Built-in sound type model supports Binary input mode which provides a selection of 31 different input combinations for five kinds of sounds.

You can only select 2 numbers with 1 switch; "0", "1". With 5 switches you can have 31 combinations. Selecting one sound from 5 switches is the binary input method.

The sound selection method of SD Card type

- Can easily select built-in sound or external sound(MP3) by using the sound selection switch.



The sound selection

0: Select built-in sound

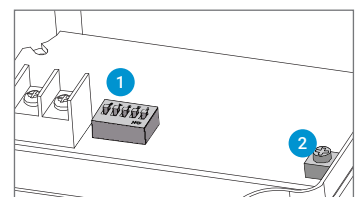
1: Select SD Card

- 31 built-in alarm sounds and special sound
- Supports SD Cards for external sound (MP3)
- Binary Input: 31Ch
- Bit Input: 5Ch(SD Card only)
- Please refer to [Sound pattern and combination for special alarm product] on this catalogue for detailed settings.

QWCD Series is an integrated horn and light globe.

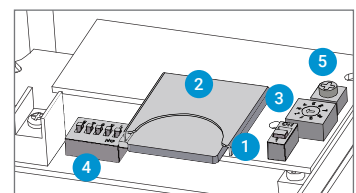
QWCD Series	
QWCD35(T)	Built-in standard sound
QWCD35(T)SD	MP3(SD Card)
QWCD50(T)	Built-in standard sound, large output sound
QWCD50(T)SD	MP3(SD Card), large output sound
QWCD35B(T)	Built-in high volume buzzer

Built-in sound type



- 1 Sound selection switch
- 2 Volume

SD Card(MP3) type



- 1 Sound setting switch
- 2 MP3 playable SD Card slot
- 3 Play mode setting switch
- 4 Sound selection switch
- 5 Volume

QWCD Series



QWCD35 Series



QWCD50 Series

QWCD35 LED Strobe Signal Beacon & Electronic Sounder Combinations

Model number	Voltage	Current	Sound pattern and volume	Certificates	Weight	Color
QWCD35 Built-in standard sound	DC12V-24V	Max.1.350A	·Bit Input: 5Ch(SD Card) ·Binary Input: 31Ch ·Warning Sounds : Max.115dB (Based on Ch31)	CE CCS UL	1.10kg	● R-Red ● A-Amber ● G-Green ● B-Blue
	AC110V-220V	Max.0.350A				
QWCD35SD MP3	DC12V-24V	Max.1.350A	·MP3: Max.112dB	UL	1.15kg	● R-Red ● A-Amber ● G-Green ● B-Blue
	AC110V-220V	Max.0.350A				

※ UL Listed: DC12V-24V

QWCD50 LED Strobe Signal Beacon & Electronic Sounder Combinations

Model number	Voltage	Current	Sound pattern and volume	Certificates	Weight	Color
QWCD50 Built-in standard sound	DC12V-24V	Max.4.680A	·Bit Input: 5Ch(SD Card) ·Binary Input: 31Ch ·Warning Sounds : Max.123dB (Based on Ch16)	CE UL	2.70kg	● R-Red ● A-Amber ● G-Green ● B-Blue
	AC110V-220V	Max.0.900A				
QWCD50SD MP3	DC12V-24V	Max.4.680A	·MP3: Max.115dB	UL	3.00kg	● R-Red ● A-Amber ● G-Green ● B-Blue
	AC110V-220V	Max.0.900A				

※ DC type model has a free-voltage range of 10V-30V.

※ AC type model has a free-voltage range of 100V-240V.

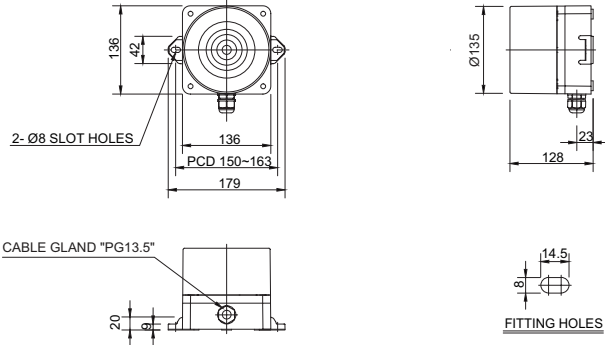
※ UL Listed: DC12V-24V

※ When playing MP3 files, there may be difference of volume depending on user's audio file type.

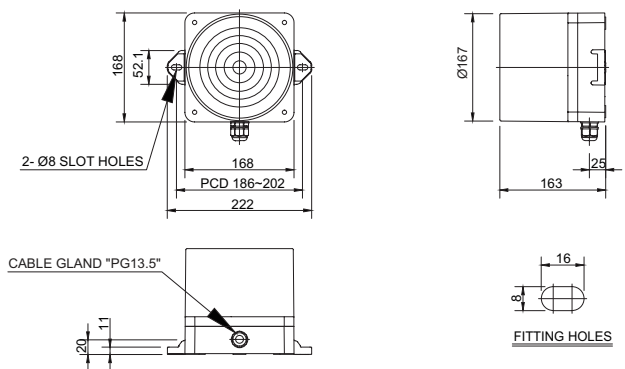
Technical Diagram

Units: mm

QWCD35 / QWCD35SD



QWCD50 / QWCD50SD



Customization

- External threading of signal line for sound selection(Model number: -LC)
- Support for CAN communication type products(QWCD35 DC only)
- Cold-resistance type(DC type only)

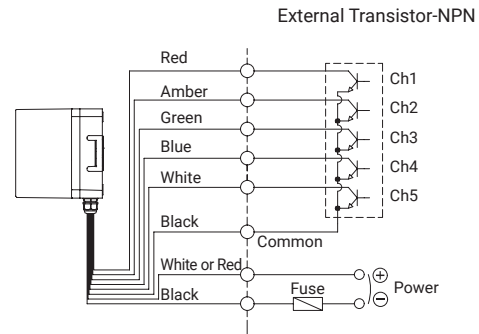
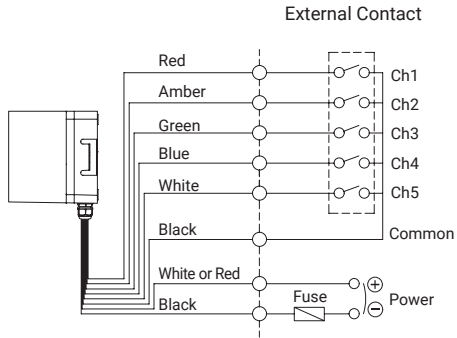
Ordering Specification

QWCD50	-	110/220	-	R	-	LC	-	INSD
[Model number]		[Voltage]		[Color]		[sound selection]		[Including SD card]
QWCD35		12/24		● R-Red		None-Standard type LC Type-Uses external contact		None-Without SD card
QWCD35SD		-DC12V-24V		● A-Amber			INSD-Including SD card	
QWCD50		110/220		● G-Green				
QWCD50SD		-AC110V-220V		● B-Blue				

Wiring Instructions

- Standard specification: Uses internal switches
- Customization: Uses external contact

- QWCD35 / QWCD50-DC/AC
- QWCD35T / QWCD50T-DC/AC



- Wiring to external contact and transistor
- Wiring to transistor, use the NPN transistor
- External Power line UL1015 AWG18(0.75sq) x 2C 400mm
- External signal line - UL1007 AWG22(0.3sq) 400mm
- DC type : Black output line is negative(-)
- Channel selection : Bit input, 5 sound tones for each group
- Binary input 31 sound tones output
- ※ Please refer to [Sound pattern and combination for multifunctional product] on this catalogue for channel input setting(Wiring instruction is replaced to channel selection switch)