

S100 Series



S100L

PRODUCT SPECIFICATION

S100L

Materials Lens-AS, Housing-ABS, Reflector-Heat resistant ABS
Ambient operating temperature -30°C to +50°C
Protection rating IP44
Compliant with RoHS directive

- Ø100mm multi-purpose LED steady/ flashing signal light
- Shock and vibration-resistant and easy maintenance with long-lasting LED
- Built-in switch for selection between steady and flashing mode

S100L LED Steady/Flashing Signal Light

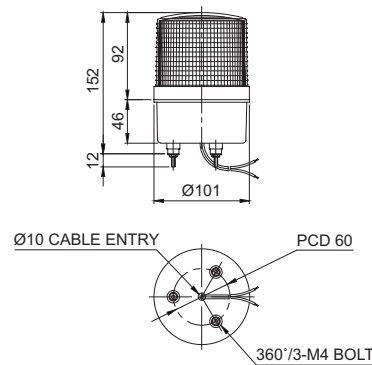
Model number	Voltage	Current	Certificates	Weight	Color
S100L	DC12V-24V	Max.0.185A	CE	0.26kg	● R-Red
	AC110V	0.055A		0.45kg	● A-Amber
	AC220V	0.030A		0.45kg	● G-Green ● B-Blue

※ CE Compliant: DC12V-24V

Technical Diagram

Units: mm

·S100L



Wiring Instructions

- External Power line - UL1015 AWG18(0.75sq) x 2C 400mm
- This product can be wired regardless of polarity.

Customization

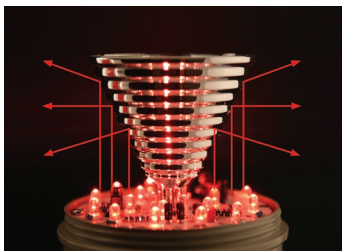
- 2 buzzer sound types: Both prolonged (beep, beep) and staccato(beep, beep) buzzer output available
- Wall mount bracket options: Bracket structure allows for threading through the bracket hole or into the wall mount



Wall Mount Bracket SWP125



Wall Mount Bracket SWM125



Feature of indirect light diffusing system

Indirect light diffusing system emits intense and constant level of signal lights via multi reflector throughout the lens.

Ordering Specification

S100L	-	BZ	-	220	-	R
[Model number]		[Buzzer option]		[Voltage]		[Color]
S100L		(None) - No buzzer BZ - Built-in buzzer		12/24-DC12V-24V 110-AC110V 220-AC220V		● R-Red ● A-Amber ● G-Green ● B-Blue