

S125LSE



S125LSE

PRODUCT SPECIFICATION

S125LSE

Materials Lens-AS, Housing-ABS

Ambient operating temperature -30°C to +50°C

Protection rating IP54

Flashing rate 60-80/min

- Ø125mm LED strobe signal lights
- Extremely bright signal light that reduces attenuation of the signal light
- Excellent visibility in daytime as bulb or xenon lamp
- Vibration and water resistance product

S125LSE LED Strobe Signal Light

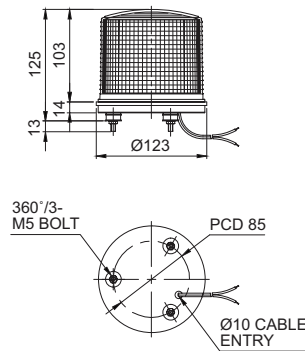
Model number	Voltage	Current	Certificates	Weight	Color
S125LSE	DC12V-24V	Max.1.000A	CE	0.33kg	<ul style="list-style-type: none"> ● R-Red ● A-Amber ● G-Green ● B-Blue

※ DC type model has a free-voltage range of 10V-30V

Technical Diagram

Units: mm

S125LSE



Wiring Instructions

- External Power line - UL1015 AWG18(0.75sq) x 2C 400mm
- This product can be wired regardless of polarity.

Customization

- Wall mount bracket options: Bracket structure allows for threading through the bracket hole or into the wall mount.



Wall Mount Bracket SWP125



Wall Mount Bracket SWM125

Ordering Specification

S125LSE	-	12/24	-	R
[Model number]		[Voltage]		[Color]
S125LSE		12/24-DC12V/24V		<ul style="list-style-type: none"> ● R-Red ● A-Amber ● G-Green ● B-Blue